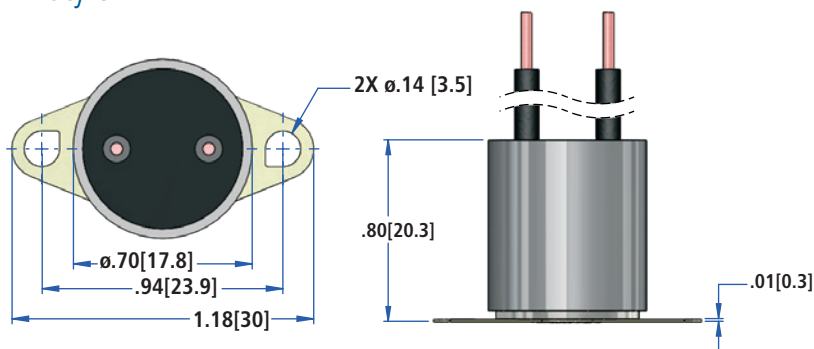


Custom 1/2" Disc Thermostats

LEP Style Custom Products

CA/OA, CR/OR, CRA/ORa Configurations

LEP Style



Everyday Applications

Outdoor & Freeze Protection
 Steam Tables & Food Equipment
 Commercial Lighting Solutions
 Construction & Fuel Equipment
 Power Converters & Inverters
 Water Heaters
 HVAC
 And More...



Key Features

LEP Series IP67 Certified Products

LEP Style Key Features

- > Original Selco over-molded thermostat solution
- > Most cost effective over-molded option
- > Leads perpendicular to sensing surface

Overall Key Features

- > Same reliability, tolerances, and consistency as bare disc thermostats
- > IP67 rated, moisture-proof, over-molded disc thermostats
- > Lead wire options such as strip lengths, terminals, and connectors, for a turn-key component
- > Eliminates potential for terminal corrosion in harsh environments

Below is an example part number configuration.

Please contact Selco so we can help customize an assembly specifically for your application!

Example Part Number & Specifications

OA-60-LEP-12SJO

Overmolded 1/2" Disc Thermostat, Opens on rise at 60°F ±5°F, Closes at 40°F ±11°F, silver contacts, surface mount bracket and 12" of two conductor 18AWG SJO cabling, jacket stripped 3", with a 0.25" conductor strip.

RoHS
Compliant



For more information on Selco Products, please visit us at: www.selcoproducts.com

