

Model No :: **20010LEDDMG-SAT/RFR**
 Name :: Bermuda



Project Name :: _____
 Location :: _____
 Type :: _____
 Quantity :: _____
 Notes :: _____

Product Information

Product ID :: 20010
 UPC Code :: 641594225730
 Mounting Type :: Wall
 Finish :: Satin
 Diffuser :: Ribbed Frosted
 Alt. Finishes :: Black (BL); Bronze (BRZ); Satin (SAT);
 White (WH); White (WHT)
 Alt. Diffusers :: Ribbed Frosted (RFR)

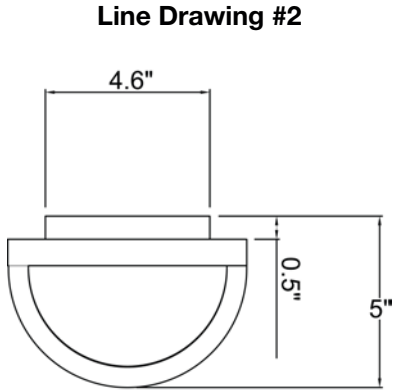
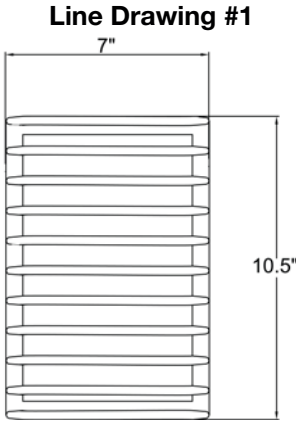
Product Dimensions

Fixture	Canopy
Length ::	Length :: 4.75
Width :: 7	Width :: 4.75
Diameter ::	Diameter ::
Extension :: 5	Height :: 0.5
Height :: 10.5	
Overall Height ::	



Technical Specifications

Qualifications	Specifications	Photometrics	Recommended Dimmers
Location Rating :: Wet	Frame Material :: Aluminum	CCT :: 3000 K	(ELV) LEVITON Illumatech IPE04; (ELV) LUTRON Diva DVELV-300P; (MLV) LUTRON Diva DVLV-600P; (TRIAC) LEVITON Sureslide 6633-P; (TRIAC) LEVITON Surslide 6631; (TRIAC) LEVITON illumatech IPI06; (TRIAC) LUTRON Diva DV-600P; (TRIAC) LUTRON
Certification :: UL Listed (US/Canada)	Diffuser Material :: Glass	CRI :: 90	
IES File ::	Voltage :: 120v	Wattage :: 13 W	
JA8 Compliant :: No	Lamping Type :: LED SSL (DLED)	Nominal Lumens :: 1265	
Energy Star :: No	Lamping Base :: SSL	Delivered Lumens ::	
ADA Compliant :: No	Lamp Quantity :: 1	Additional Items ::	
Marine Grade :: No	Lamp Wattage :: 13 W		
Emergency Lighting :: No	Total Wattage :: 13 W		
Warranty :: 3 Year Limited	Lamps Included :: Yes		
	J-Box Type :: Standard		



IES File

Image Not Available

Toll Free 800-828-5483 • www.AccessLighting.com

14410 Myford Road, Irvine, CA 92606
 The information provided is subject to change without notice. ©2020 Access Lighting Corporation. All Rights Reserved
 Rev. 202105 Filename:: 20010LEDDMG-SAT_RFR.pdf

