

Model No :: **20330LEDDMGLP-BL/FST**
 Name :: Oden



Project Name :: _____
 Location :: _____
 Type :: _____
 Quantity :: _____
 Notes :: _____

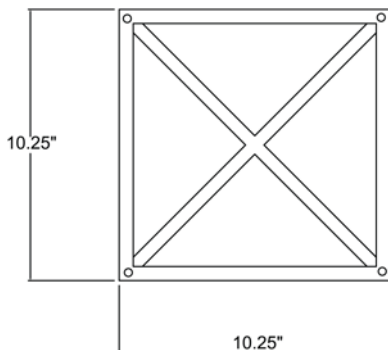
Product Information	
Product ID ::	20330
UPC Code ::	641594218398
Mounting Type ::	Wall
Finish ::	Black
Diffuser ::	Frosted
Alt. Finishes ::	Black (BL); Satin (SAT)
Alt. Diffusers ::	Frosted (FST)

Product Dimensions		
Fixture		Canopy
Length ::		Length :: 10.25
Width :: 10.25		Width :: 10.25
Diameter ::		Diameter ::
Extension :: 4.75		Height :: 1.25
Height :: 10.25		
Overall Height ::		

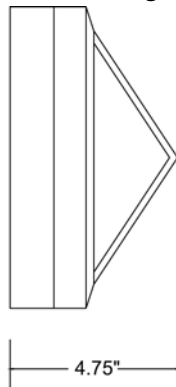
Technical Specifications

Qualifications	Specifications	Photometrics	Recommended Dimmers
Location Rating :: Wet	Frame Material :: Aluminum	CCT :: 3000 K	(ELV) LUTRON Skylark SELV-300P; (MLV) COOPER Aspire 9530SW; (TRIAC) LEGRAND Titan CD703-PW
Certification :: ETL Listed (US/Canada)	Diffuser Material :: Glass	CRI :: 90	
IES File ::	Voltage :: 120v	Wattage :: 20 W	Additional Items ::
JA8 Compliant :: No	Lamping Type :: A-19 (RLED)	Nominal Lumens :: 1600	
Energy Star :: No	Lamping Base :: E-26	Delivered Lumens ::	
ADA Compliant :: No	Lamp Quantity :: 2		
Marine Grade :: No	Lamp Wattage :: 10 W		
Emergency Lighting :: No	Total Wattage :: 20 W		
Warranty :: 3 Year Limited	Lamps Included :: Yes		
	J-Box Type :: Standard		

Line Drawing #1



Line Drawing #2



IES File

Image
Not Available

Toll Free 800-828-5483 • www.AccessLighting.com

14410 Myford Road, Irvine, CA 92606

The information provided is subject to change without notice. ©2020 Access Lighting Corporation. All Rights Reserved
 Rev. 202105 Filename:: 20330LEDDMGLP-BL_FST.pdf

