

Model No :: **20415-ALB**  
 Name :: Daphne



Project Name :: \_\_\_\_\_  
 Location :: \_\_\_\_\_  
 Type :: \_\_\_\_\_  
 Quantity :: \_\_\_\_\_  
 Notes :: \_\_\_\_\_

**Product Information**

Product ID :: 20415  
 UPC Code :: 641594001822  
 Mounting Type :: Wall  
 Finish :: 0  
 Diffuser :: Alabaster (ALB)  
 Alt. Finishes :: 0  
 Alt. Diffusers :: Alabaster (ALB); Opal (OPL)

**Product Dimensions**

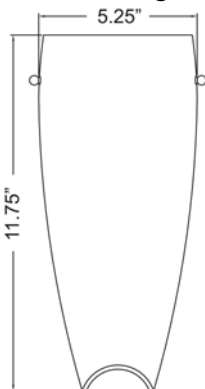
Fixture	Canopy
Length :: N/A	Length :: 8.5"
Width :: 5.5"	Width :: 4.25"
Diameter :: N/A	Diameter :: N/A
Extension :: 4"	Height :: 0.5"
Height :: 11.75"	
Overall Height :: N/A	



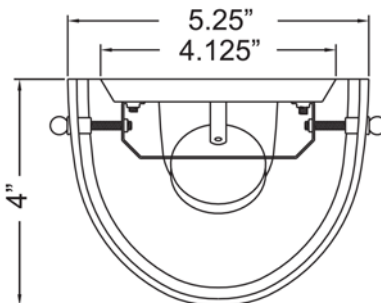
**Technical Specifications**

Qualifications	Specifications	Photometrics	Recommended Dimmers
Location Rating :: Damp	Frame Material :: Steel	CCT :: 2700	(TRIAC) Any Standard Dimmer
Certification :: UL Listed (US/Canada)	Diffuser Material :: Glass	CRI :: N/A	
IES File ::	Voltage :: 120v	Wattage :: 100w	
JA8 Compliant :: No	Lamping Type :: Incandescent	Nominal Lumens :: 1600Lm	
Energy Star :: No	Lamping Base :: E-26	Delivered Lumens :: N/A	
ADA Compliant :: Yes	Lamp Quantity :: 1	Additional Items :: 0	
Marine Grade :: No	Lamp Wattage :: 100 W		
Emergency Lighting :: No	Total Wattage :: 100w		
Warranty :: 1 Year Limited	Lamps Included :: No		
	J-Box Type :: Standard		

**Line Drawing #1**



**Line Drawing #2**



**IES File**

Image Not Available

**Toll Free 800-828-5483 • www.AccessLighting.com**

14410 Myford Road, Irvine, CA 92606

The information provided is subject to change without notice. ©2020 Access Lighting Corporation. All Rights Reserved  
 Rev. 202004 Filename:: 20415-ALB.pdf

