

Model No :: **20446-BS/WHT**  
 Name :: Prong



Project Name :: \_\_\_\_\_  
 Location :: \_\_\_\_\_  
 Type :: \_\_\_\_\_  
 Quantity :: \_\_\_\_\_  
 Notes :: \_\_\_\_\_

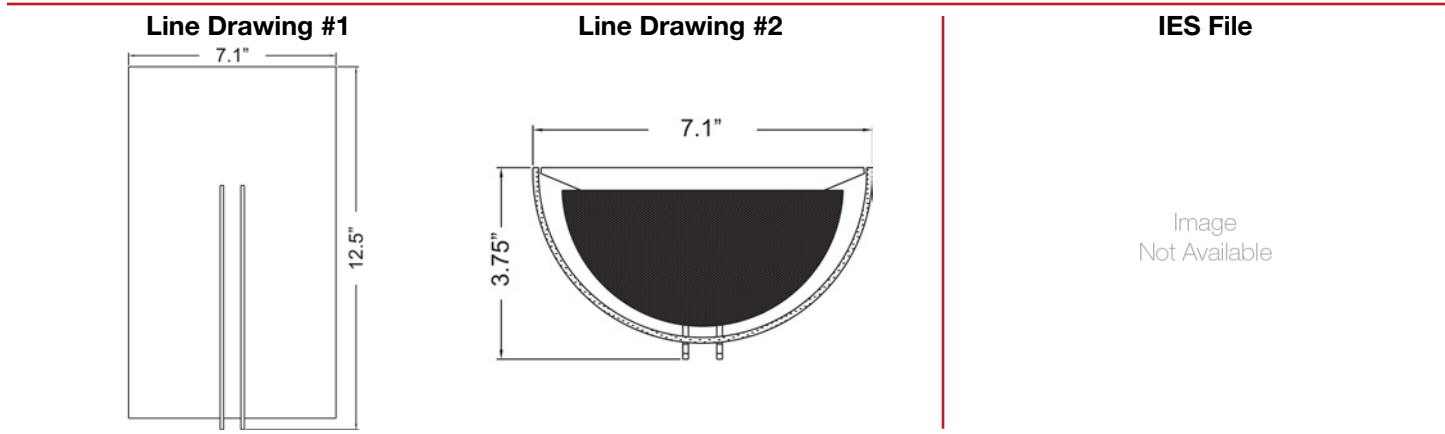
Product Information	
Product ID ::	20446
UPC Code ::	641594160185
Mounting Type ::	Wall
Finish ::	Brushed Steel (BS)
Diffuser ::	White (WHT)
Alt. Finishes ::	Brushed Steel (BS); Matte Black (MBL)
Alt. Diffusers ::	White (WHT)

Product Dimensions		
<b>Fixture</b>		<b>Canopy</b>
Length ::	N/A	Length :: 11.25"
Width ::	7.25"	Width :: 6.75"
Diameter ::	N/A	Diameter :: N/A
Extension ::	3.75"	Height :: 0.5"
Height ::	12.5"	
Overall Height ::	N/A	



**Technical Specifications**

Qualifications	Specifications	Photometrics	Recommended Dimmers
Location Rating :: Damp	Frame Material :: Steel	CCT :: 2700	(TRIAC) Any Standard Dimmer
Certification :: UL Listed (US/Canada)	Diffuser Material :: Glass	CRI :: N/A	
IES File ::	Voltage :: 120v	Wattage :: 120w	
JA8 Compliant :: No	Lamping Type :: Incandescent	Nominal Lumens :: 1600Lm	
Energy Star :: No	Lamping Base :: E-26	Delivered Lumens :: N/A	
ADA Compliant :: Yes	Lamp Quantity :: 2	Additional Items :: 0	
Marine Grade :: No	Lamp Wattage :: 60 W		
Emergency Lighting :: No	Total Wattage :: 120w		
Warranty :: 1 Year Limited	Lamps Included :: No		
	J-Box Type :: Standard		



**Toll Free 800-828-5483 • www.AccessLighting.com**

14410 Myford Road, Irvine, CA 92606  
 The information provided is subject to change without notice. ©2020 Access Lighting Corporation. All Rights Reserved  
 Rev. 202004 Filename:: 20446-BS\_WHT.pdf

