

Model No :: **20624GU-BS/OPL**
 Name :: Cobalt



Project Name :: _____
 Location :: _____
 Type :: _____
 Quantity :: _____
 Notes :: _____

Product Information

Product ID :: 20624
 UPC Code :: 641594161533
 Mounting Type :: Ceiling
 Finish :: Brushed Steel
 Diffuser :: Opal
 Alt. Finishes :: Brushed Steel (BS); White (WH)
 Alt. Diffusers :: Opal (OPL)

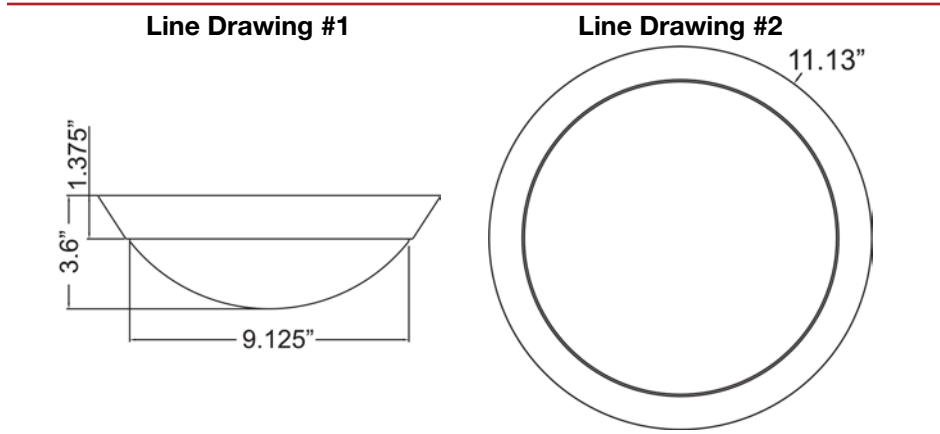
Product Dimensions

Fixture	Canopy
Length ::	Length ::
Width ::	Width ::
Diameter :: 11.25	Diameter ::
Extension ::	Height :: 1.5
Height :: 3.75	
Overall Height ::	



Technical Specifications

Qualifications	Specifications	Photometrics	Recommended Dimmers
Location Rating :: Damp	Frame Material :: Steel	CCT ::	
Certification :: UL Listed (US/Canada)	Diffuser Material :: Glass	CRI ::	
IES File ::	Voltage :: 120v	Wattage :: 26 W	
JA8 Compliant :: No	Lamping Type :: Spiral (FL)	Nominal Lumens ::	
Energy Star :: No	Lamping Base :: GU-24	Delivered Lumens ::	
ADA Compliant :: No	Lamp Quantity :: 2	Additional Items ::	
Marine Grade :: No	Lamp Wattage :: 13 W		
Emergency Lighting :: No	Total Wattage :: 26 W		
Warranty :: 1 Year Limited	Lamps Included :: No		
	J-Box Type :: Standard		



IES File

Image Not Available

Toll Free 800-828-5483 • www.AccessLighting.com

14410 Myford Road, Irvine, CA 92606
 The information provided is subject to change without notice. ©2020 Access Lighting Corporation. All Rights Reserved
 Rev. 202105 Filename: 20624GU-BS_OPL.pdf

