

Model No :: **63963LEDD-MBL/ACR**
 Name :: Float



Project Name :: _____
 Location :: _____
 Type :: _____
 Quantity :: _____
 Notes :: _____

Product Information

Product ID :: 63963
 UPC Code :: 641594238280
 Mounting Type :: Ceiling
 Finish :: Matte Black
 Diffuser :: Acrylic Lens
 Alt. Finishes :: Matte Black (MBL); Matte White (MWH); Silver (SILV)
 Alt. Diffusers :: Acrylic Lens (ACR)

Product Dimensions

Fixture	Canopy
Length :: 1.75	Length :: 3
Width :: 36	Width :: 12
Diameter ::	Diameter ::
Extension ::	Height :: 1.5
Height :: 2.75	
Overall Height :: 5-120	

Technical Specifications

Qualifications

Location Rating :: Damp
 Certification :: UL Listed (US/Canada)
 IES File ::
 JA8 Compliant :: No
 Energy Star :: No
 ADA Compliant :: No
 Marine Grade :: No
 Emergency Lighting :: No
 Warranty :: 1 Year Limited

Specifications

Frame Material :: Aluminum
 Diffuser Material :: Acrylic
 Voltage :: 120v
 Lamping Type :: LED SSL (DLED)
 Lamping Base :: SSL
 Lamp Quantity :: 1
 Lamp Wattage :: 22 W
 Total Wattage :: 22 W
 Lamps Included :: Yes
 J-Box Type :: Standard

Photometrics

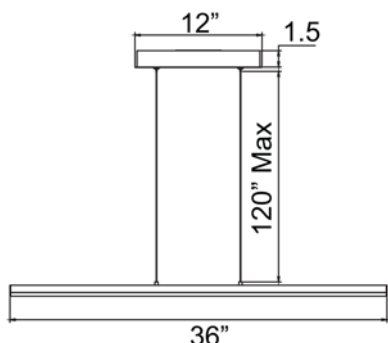
CCT :: 3200 K
 CRI :: 90
 Wattage :: 22 W
 Nominal Lumens :: 1760
 Delivered Lumens :: 1466

Recommended Dimmers

(ELV) LUTRON Diva DVELV-300P; (ELV) LUTRON Diva DVELV-303P; (ELV) LUTRON Skylark SELV-300P; (TRIAC) LUTRON Diva DV-600P; (TRIAC) LUTRON Skylark S-600 or S-600P

Additional Items ::

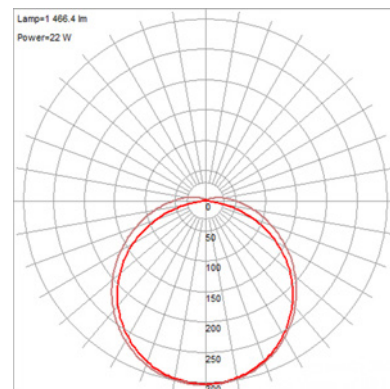
Line Drawing #1



Line Drawing #2



IES File



Toll Free 800-828-5483 • www.AccessLighting.com

14410 Myford Road, Irvine, CA 92606

The information provided is subject to change without notice. ©2020 Access Lighting Corporation. All Rights Reserved
 Rev. 202105 Filename: 63963LEDD-MBL_ACR.pdf

