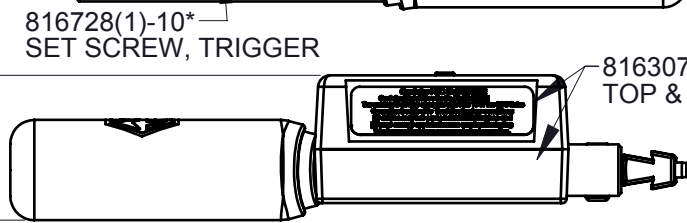
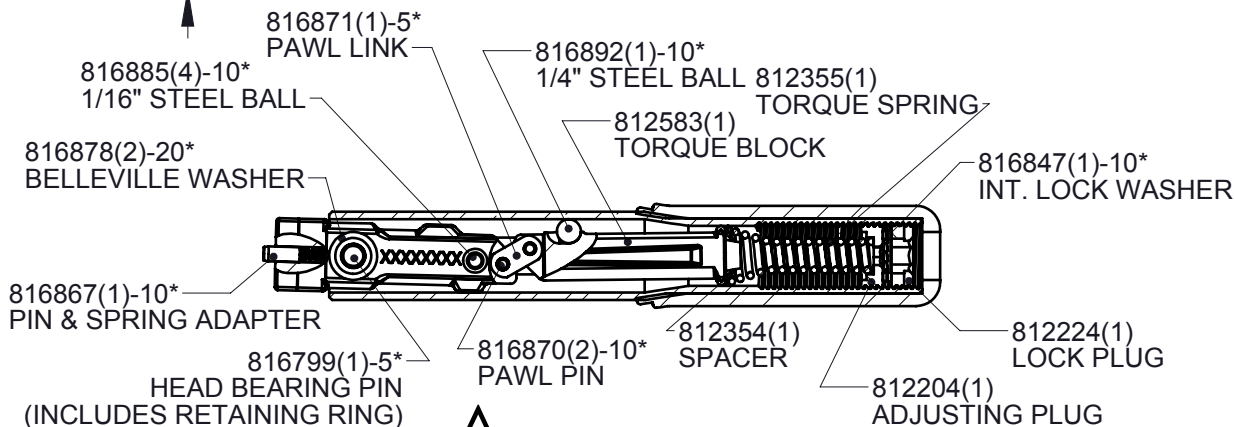


**WARNING: DO NOT MIX BATTERY TYPES BETWEEN 21152 AND THIS PCB!**

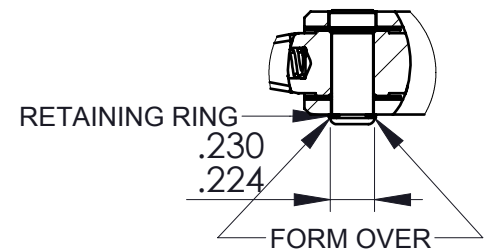
- NOTES:  
 1. TIGHTEN TO 1.5-2.5inlb AND APPLY A DROP OF ADHESIVE (PERMA-LOK MM115 OR LOCITE 262) TO SET SCREW (890008) PRIOR TO ASSY INTO TANG (813326).



DETAIL A  
SCALE 1 : 1



AFTER ASSEMBLY



816799- THIS PIN IS FORMED OVER **CUSTOMER MUST** GRIND OFF FORMED END & INSTALL THIS PIN FORMING THE HEAD OVER THE RETAINING RING AS SHOWN

LEGEND: ( ) = QUANTITY/TOOL  
 \* = QUANTITY/MULTI-PAK

