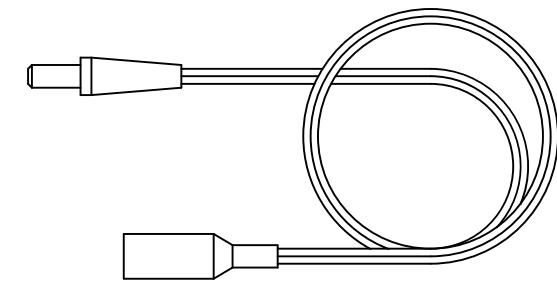
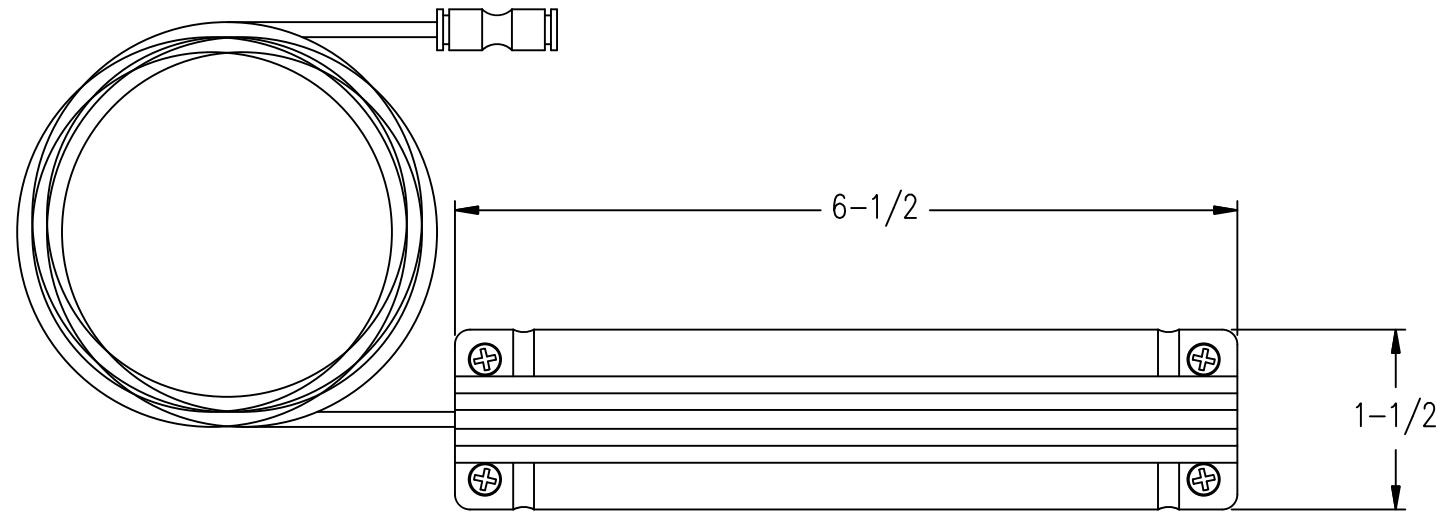
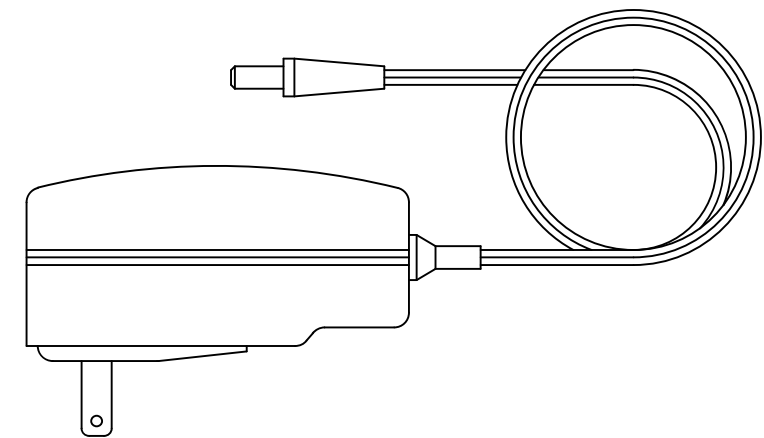
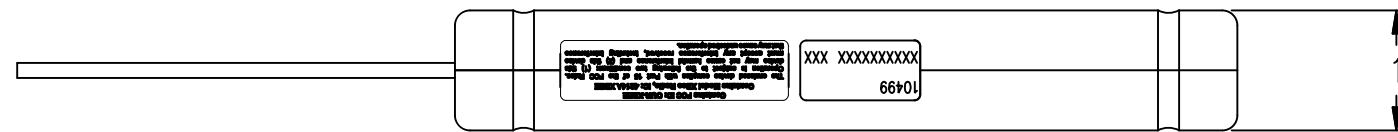


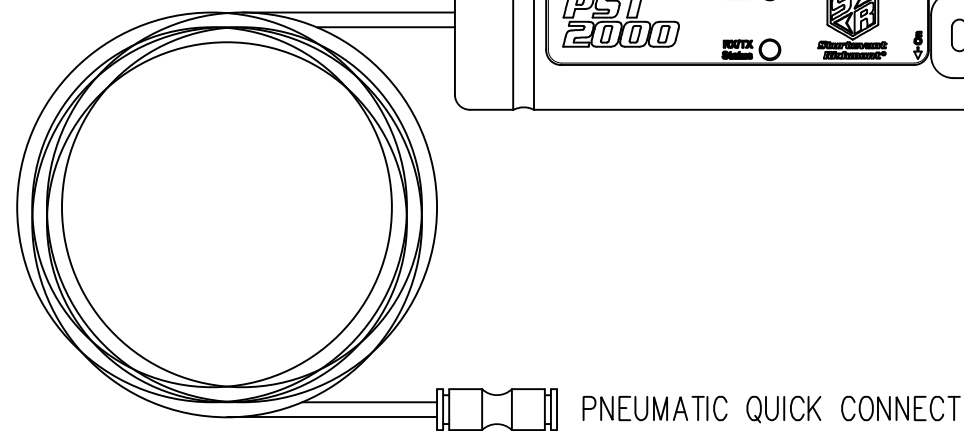
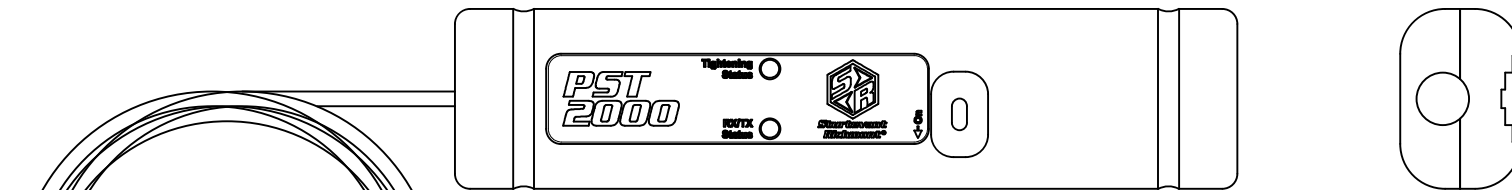
PART NO. 10498



14 FOOT EXTENSION CABLE



AC WALL ADAPTER WITH INTERNATIONAL PLUG PACK



PNEUMATIC QUICK CONNECT

TIE WRAP - 9-1/2 INCHES (4 PCS)

TIE WRAP - 5-1/2 INCHES (8 PCS)

THIS PRINT AND ALL INFORMATION APPEARING THEREON IS THE PROPERTY OF "STURTEVANT/RICHMONT". NEITHER THE PRINT NOR THE INFORMATION THEREON MAY BE REPRODUCED OR USED IN ANY MANNER WHATSOEVER OR DIVULGED TO ANY OTHER PERSON UNLESS SPECIFICALLY AUTHORIZED BY "STURTEVANT/RICHMONT".

MATERIAL	TOLERANCE ANGLES $\pm 1/2^\circ$ TWO PLACE DEC. $\pm .010$ THREE PLACE DEC. $\pm .005$ FRACTIONS $\pm 1/64$ FEATURES ON ϕ $\pm .010$ UNLESS OTHERWISE NOTED
PLATING	
HEAT TREAT	



PART DESCRIPTION	
PST 2000 HARD WIRED	
SCALE:	DWG. NO.
1/2	B 10498

CHG	E. C. N.	BY	DATE