

# **SIRIUS Indoor/Outdoor Home Antenna**

## **Installation Guide**

**Placed Outdoors – Facing South Satellite**



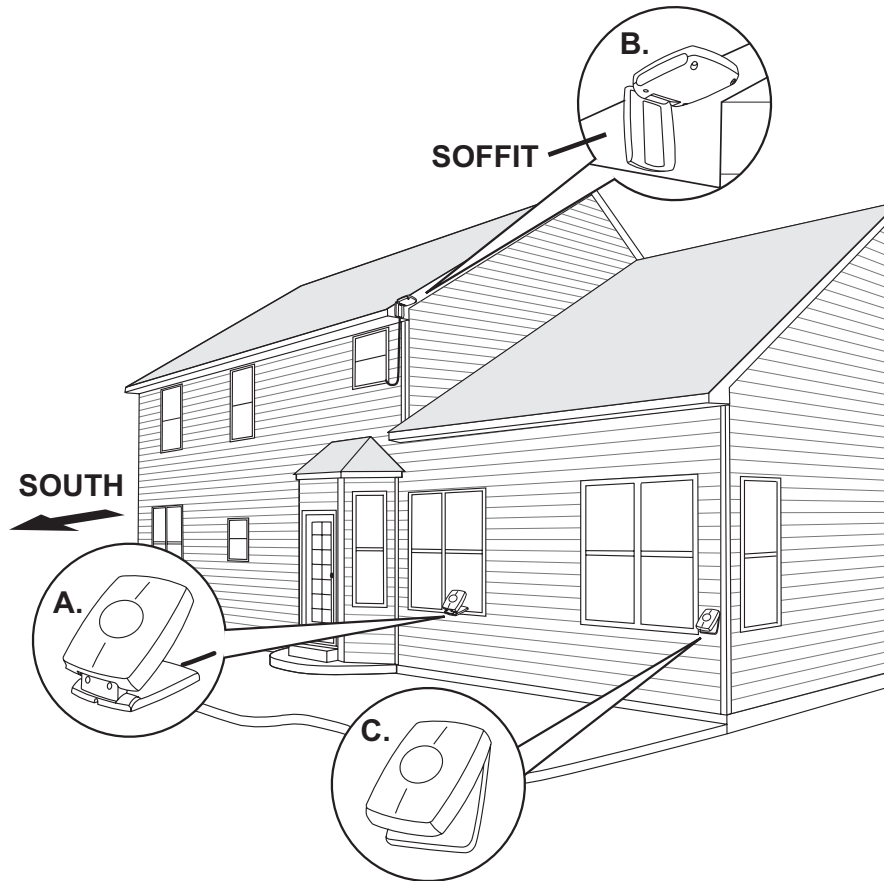
**Indoor/Outdoor Home Antenna**

At SiriusXM, our customers' satisfaction with the performance of their Radios is extremely important to us. In this guide, we have prepared a series of instructions and tips for you to show you the best methods for selecting a location for your antenna, how to install it, and how to connect it to your SiriusXM Radio.



## Step 1: Place the Antenna

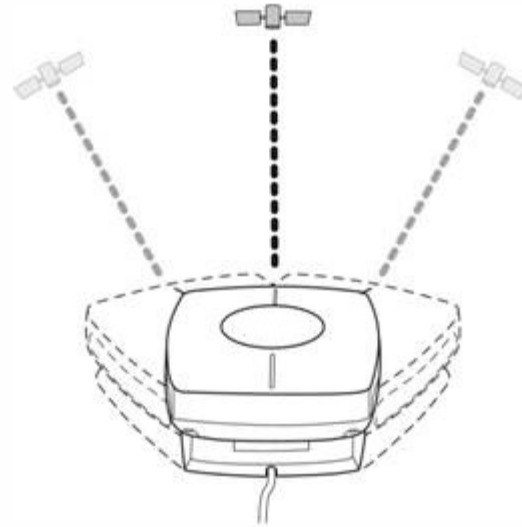
Place the Indoor/Outdoor Home Antenna outdoors on a window ledge, porch, table, or patio, where it has a clear, unobstructed view of the south sky (A, in illustration below). You could also attach it to a soffit of the house with the antenna having a straight up view of the sky (B, in illustration below) or attach it on a south facing wall of the house (C, in illustration below), provided that the antenna has a clear, unobstructed view of the south sky. Mounting options B and C use the mounting points on the antenna's base to attach the antenna to the house.



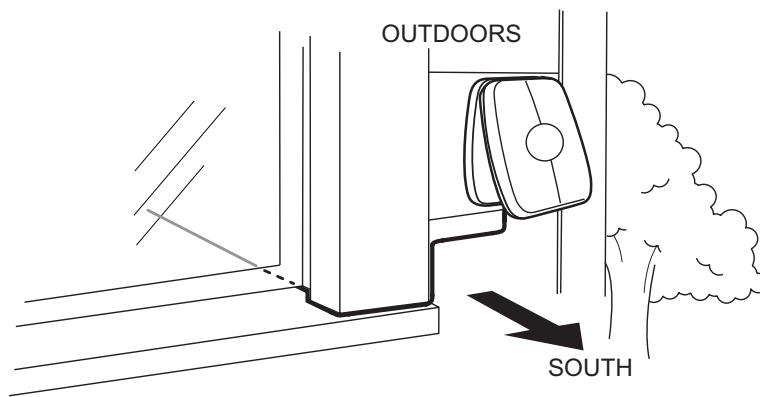
Not sure which way is south? Think about where the sun rises (in the east) and sets (in the west). Then stand so that east is to your left and you'll be facing south.

There should NOT be any obstructions such as bushes, trees, other homes or buildings, overhangs, soffits, chimneys, gables, dormers, etc, blocking the antenna's view of the south sky. Be aware that depending upon where you place the antenna, your own home may block the antenna's view of the satellite.

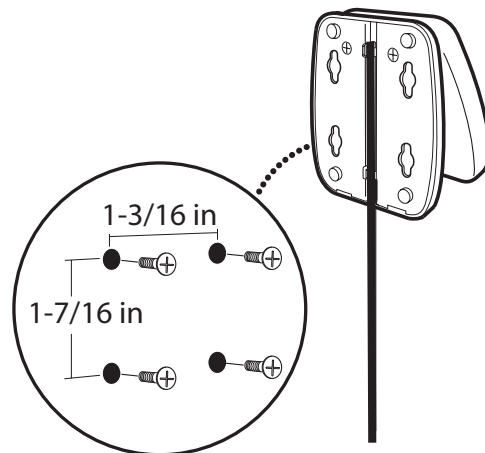
If you placed the antenna outdoors on a flat surface, keep the clamshell closed and orient the body of the antenna to face south. Continue with Step 2.



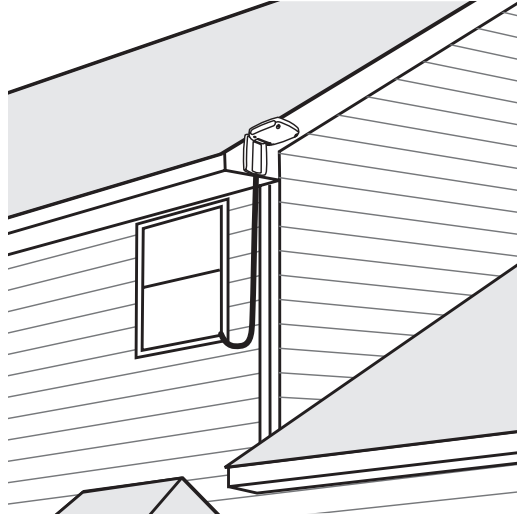
If you attach the antenna to the soffit or wall of the house using the mounting points on the antenna's base, you will need four screws (not included) with a 1/4" head (e.g., an M3 screw), and which are suitable for the material onto which you are affixing the antenna, (e.g., wood, metal, etc.).



The screws should be spaced 1-3/16" apart horizontally and 1-7/16" vertically.

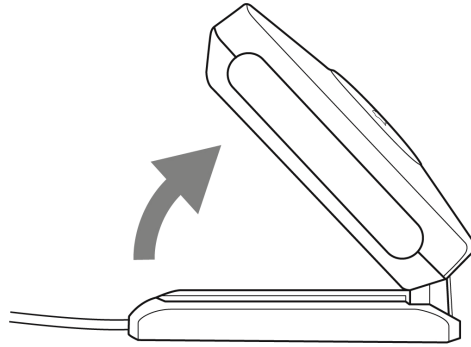


If you have mounted the antenna on a soffit with a straight up view of the sky, skip to Step 3 that describes how to connect the antenna to your Radio or Home Dock.

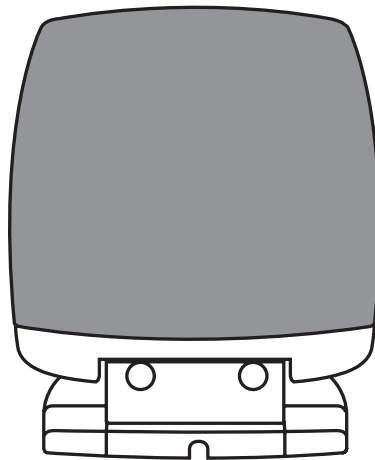


## Step 2: Aim the Antenna

Open the antenna clamshell so that it is halfway between the horizontal and vertical positions as shown.

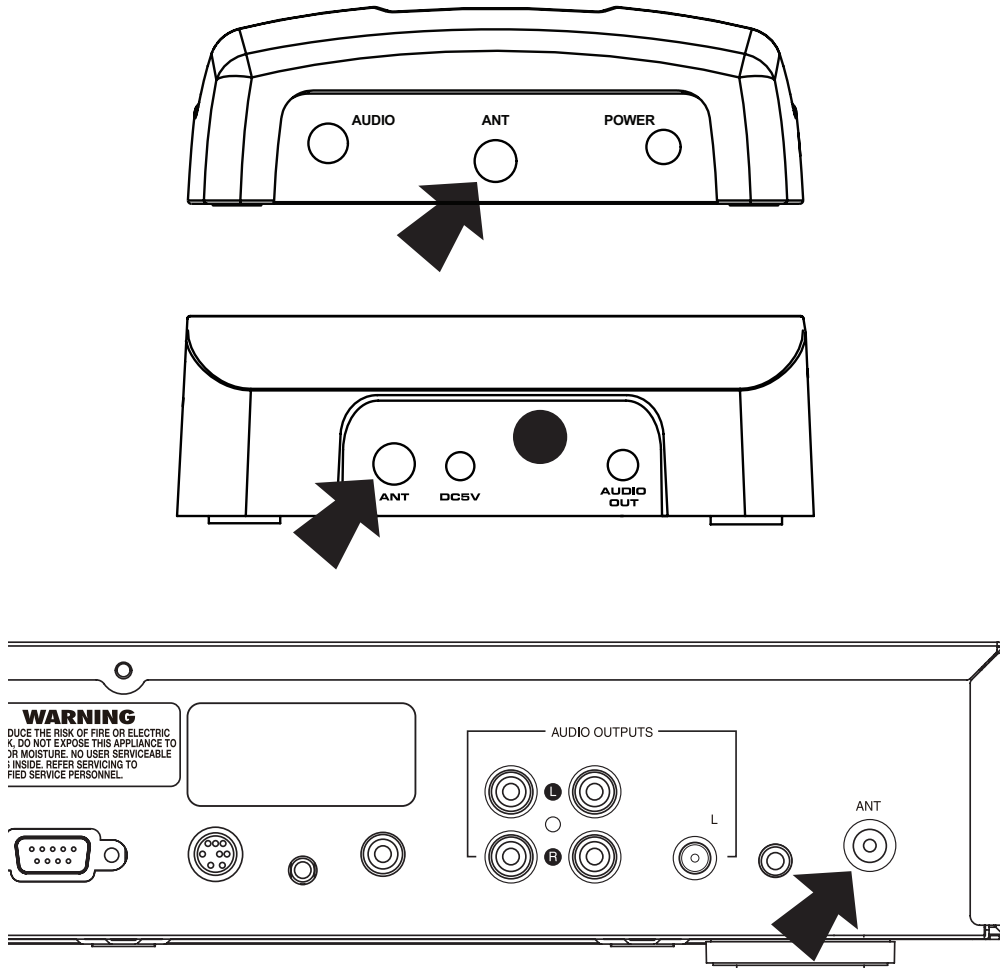


Orient the antenna so that the shaded surface shown is facing south, in the direction of the satellite.



### Step 3: Connect the Antenna to Your SiriusXM Radio or Home Dock

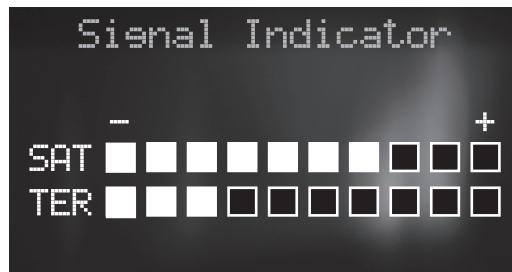
Connect the antenna cable to the ANT connection on the Radio or Home Dock.



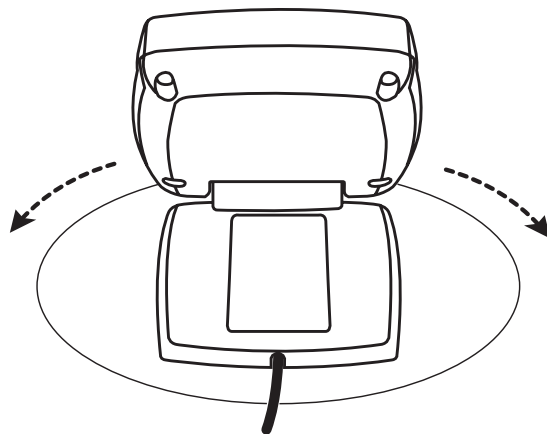
## Step 4: Verify Signal Reception

Turn your SiriusXM Radio ON and access the Signal Indicator (or Antenna Aiming) screen. (Consult your Radio's User Guide for instructions on accessing the screen.)

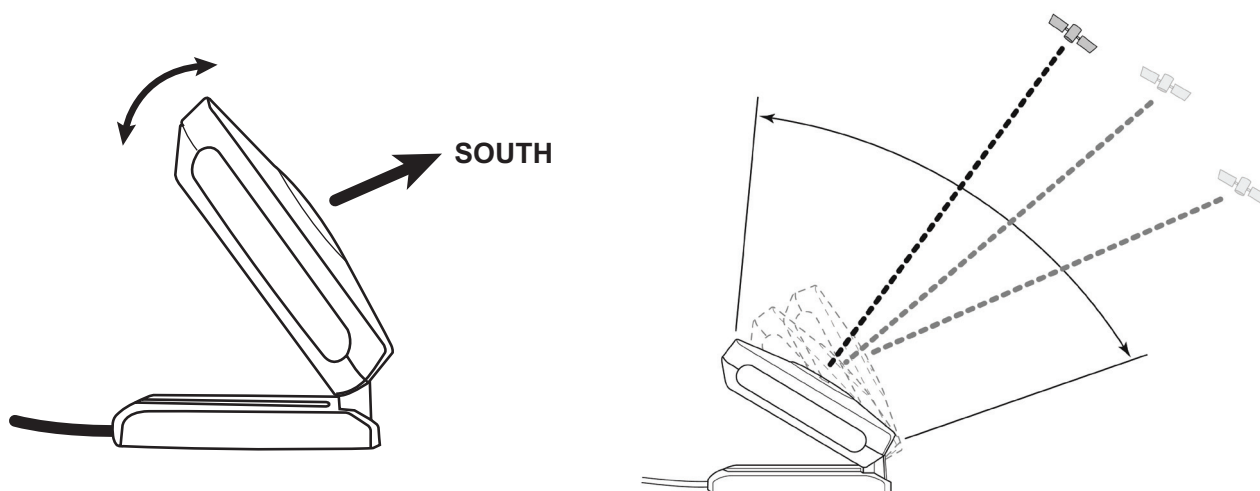
The Signal Indicator screen shows the strength of both the satellite (SAT) signal and the terrestrial (ground) (TER) signal (if available).



While watching the Signal Indicator screen, rotate the antenna left or right in small increments, as shown, until the highest possible satellite (SAT) signal strength is achieved.



While continuing to watching the Signal Indicator screen, adjust the tilt angle in small increments, toward the horizontal or vertical positions, as shown, until the highest possible satellite (SAT) signal strength is achieved. The installation is complete.



## Signal Distribution Accessories For You to Consider

**50 ft. Antenna Extension Cable:** If the cable attached to the antenna is not long enough, you can use a 50' long antenna extension cable (sold separately) to extend the antenna cable.

[www.siriusxm.com](http://www.siriusxm.com)

**Sirius XM Radio Inc.  
1221 Avenue of the Americas  
New York, NY 10020**

**1.800.967.2346**

© 2011 Sirius XM Radio Inc.

SIRIUS Indoor/Outdoor Home Antenna - Outdoors Facing South 012511a