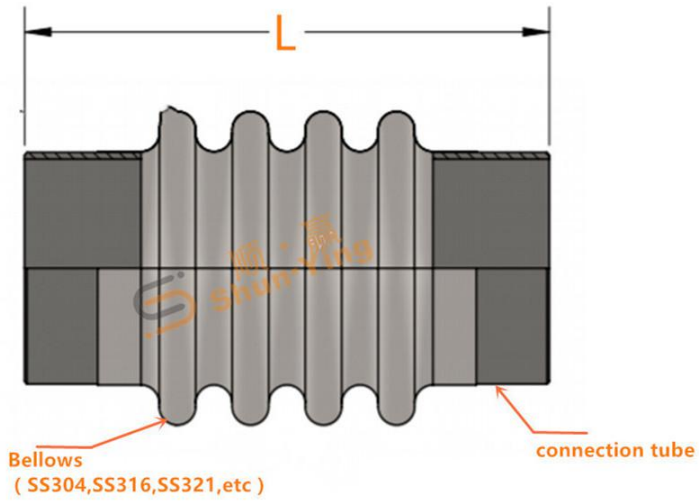


Welded Type Bellows Expansion Joint



TECHNICAL PARAMETERS

Technical Parameters	
Working Pressure	0.6-2.5Mpa
Working temperature	-20℃to 300℃
Main material	stainless steel, carbon steel
Applicable medium	weak acid, weak alkali, weak corrosion, oil, hot water, cold water, etc.


Welded bellows pump connector is composed of a bellows and two end pipes and other components. It absorbs the axial displacement of the pipe through the flexible deformation of bellows (there is also a small amount of lateral and angular displacement), and the end is connected with the pipe or welded directly, or welded on the flange and then connected with the pipe flange.

MAIN DATA:

Nominal diameter	Quantity of ripple	Pressure level(Mpa)					Effective area of corrugated tube (cm ²)	Maximum external diameter size (mm)	Length (mm)	Connection tube
		0.25	0.6	1	1.6	2.5				
DN										
		0.25	0.6	1	1.6	2.5				JDZ/F
		Axial compensation Length (mm)/toughness N/mm								
32	8	25/21	22/26	20/26	18/63	15/98	16	110	264/210	
	16	50/11	46/14	41/14	36/32	31/47		220	316/320	
40	8	25/28	22/44	20/44	18/89	15/106	23	130	269/260	
	16	50/14	46/22	41/22	36/45	31/55		240	319/400	
50	8	25/30	22/51	20/70	18/70	15/138	37	150	282/230	
	16	50/16	46/26	41/35	36/35	31/70		260	347/450	
65	8	33/28	30/35	26/44	22/55	19/68	55	170	300/260	
	12	42/16	38/22	38/32	34/40	29/50		280	340/470	
80	8	40/20	36/26	34/33	28/41	24/54	81	200	344/260	
	10	53/14	49/17	49/21	43/26	38/33		230	374/300	
100	8	45/47	45/60	40/75	35/93	29/117	121	220	323/280	
	10	76/26	74/32	64/40	57/50	49/63		260	387/320	
125	6	48/38	42/47	38/59	34/74	29/92	180	250	316/320	
	8	85/23	77/29	66/36	58/45	50/56		290	388/360	
150	6	49/42	44/50	40/62	34/78	29/97	257	250	338/320	
	8	79/34	71/43	64/51	54/59	46/65		290	402/360	
200	6	52/49	46/55	42/68	38/78	34/111	479	300	348/370	
	8	73/31	65/44	59/52	53/58	48/78		340	402/420	
250	6	72/30	63/34	59/42	52/45	47/55	769	300	415/420	
	8	108/16	97/21	87/35	79/39	71/47		360	493/460	

Nominal diameter	Quantity of ripple	Pressure level(Mpa)					Effective area of corrugated tube (cm ²)	Maximum external diameter size (mm)	Length (mm)	Connection tube
		0.25	0.6	1	1.6	2.5				
DN										
		0.25	0.6	1	1.6	2.5				JDZ/F
		Axial compensation Length (mm)/toughness N/mm								
300	6	72/51	65/55	59/59	52/65	47/71	1105	340	466/488	
	8	108/32	97/35	87/37	79/41	71/45		400	564/520	
350	6	72/58	65/62	59/67	52/74	47/81	1307	340	497/480	
	8	108/38	97/41	87/44	79/48	71/47		420	609/540	
400	6	72/54	65/58	59/62	52/68	47/75	1611	340	512/480	
	8	108/36	97/39	87/43	79/47	71/52		420	622/560	
450	6	108/32	97/35	87/37	79/41	71/45	1972	340	503/500	
	8	162/20	145/22	131/23	118/25	106/28		450	603/590	
500	6	108/59	97/64	87/68	79/75	71/82	2445	340	531/500	
	8	162/34	145/37	131/39	118/43	106/48		450	631/600	
600	6	108/74	97/80	87/85	79/94	71/103	3534	380	578/540	
	8	162/42	145/45	131/49	118/53	106/60		380	758/640	
700	4	108/67	97/72	87/77	79/85	71/103	4717	1110	550	
	6	162/42	145/45	131/49	118/53	106/60		1110	670	
800	4	120/88	102/95	102/102	94/112	71/95	5822	1265	560	
	6	183/67	164/72	156/77	144/85	106/60		1265	600	
900	4	120/84	108/90	102/97	94/107	82/123	7620	1186	620	
	6	183/60	164/65	156/69	144/76	125/93		1186	720	
1000	4	120/91	108/98	102/105	94/116	82/117	9043	1286	690	
	6	183/59	164/65	156/71	144/81	125/84		1286	790	

Notes: 1. Please send us letter and drawing for customization if you have special requirements.

 <p>河南顺赢新能源有限公司 Henan Shunying New Energy Co., Ltd.</p>	Proposal/Inquiry/Order No:	NOTES:
	Customer Name:	
	Project Name:	
	Contractor:	