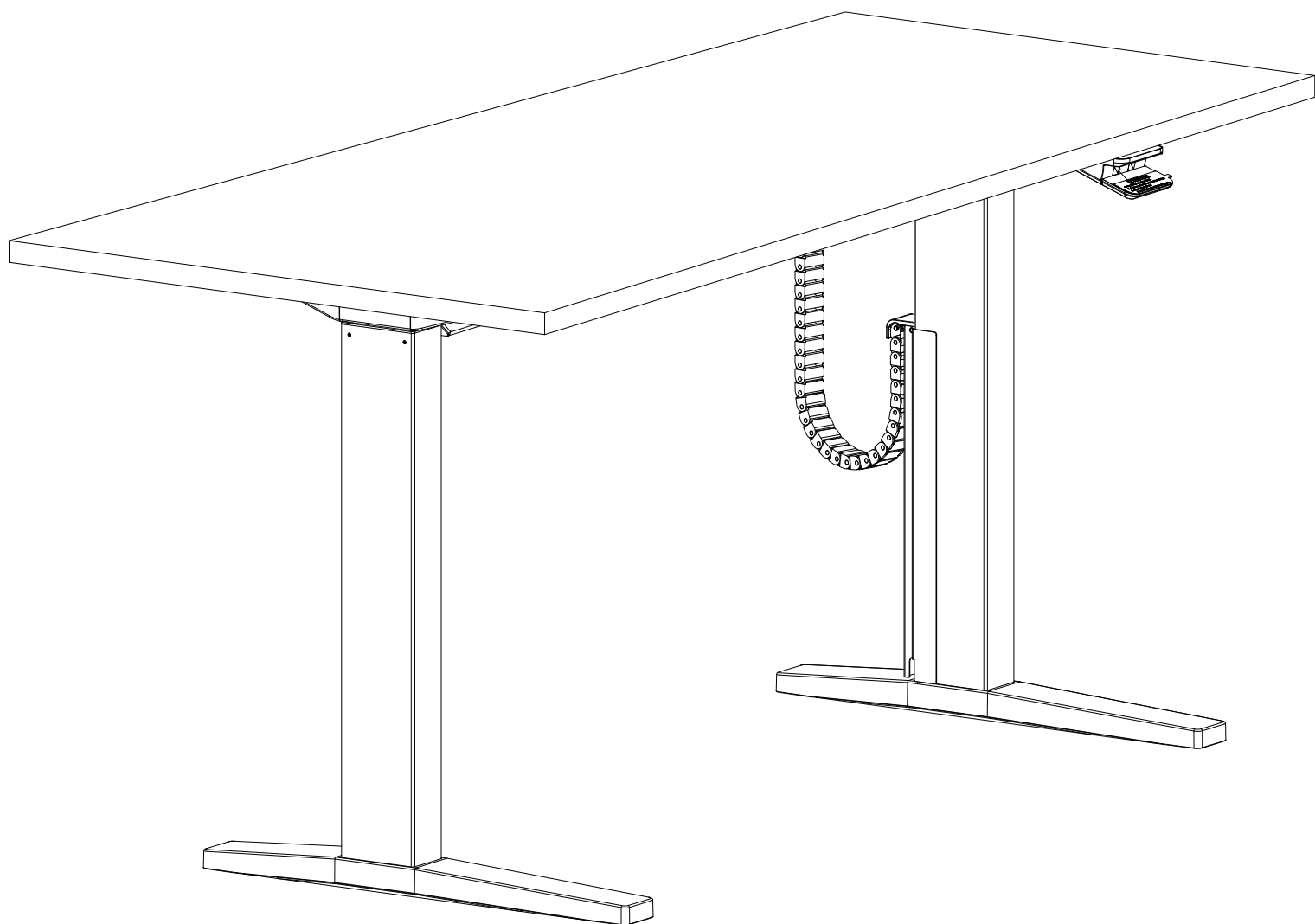
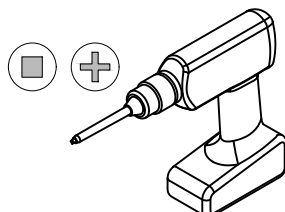
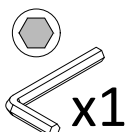
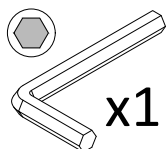
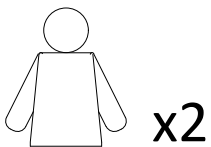
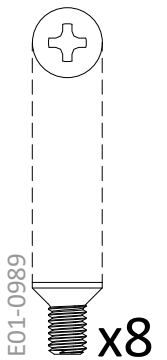
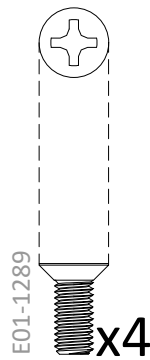
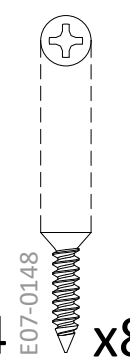
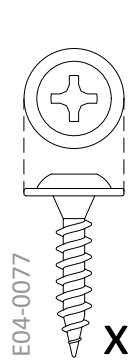
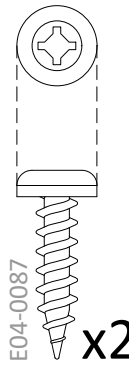
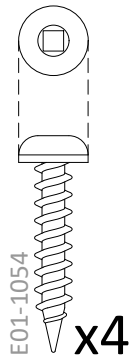
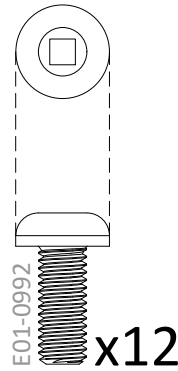
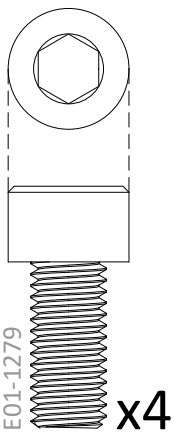
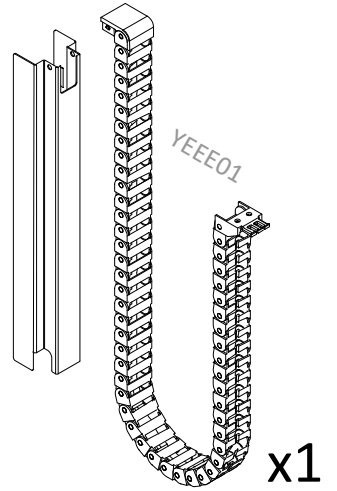
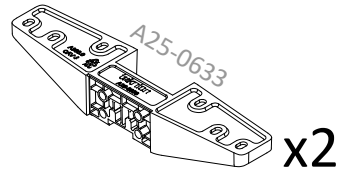
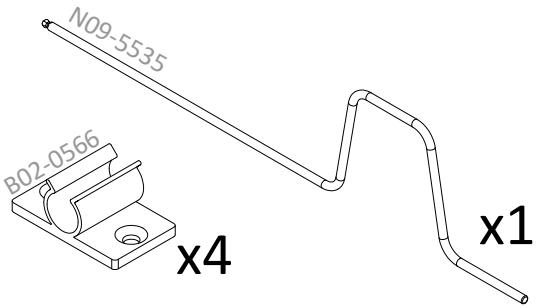
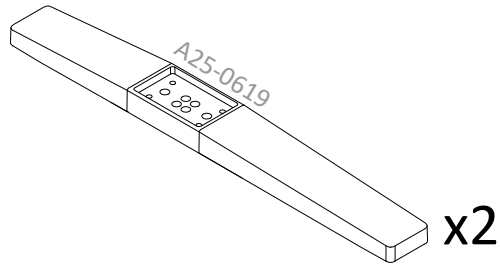
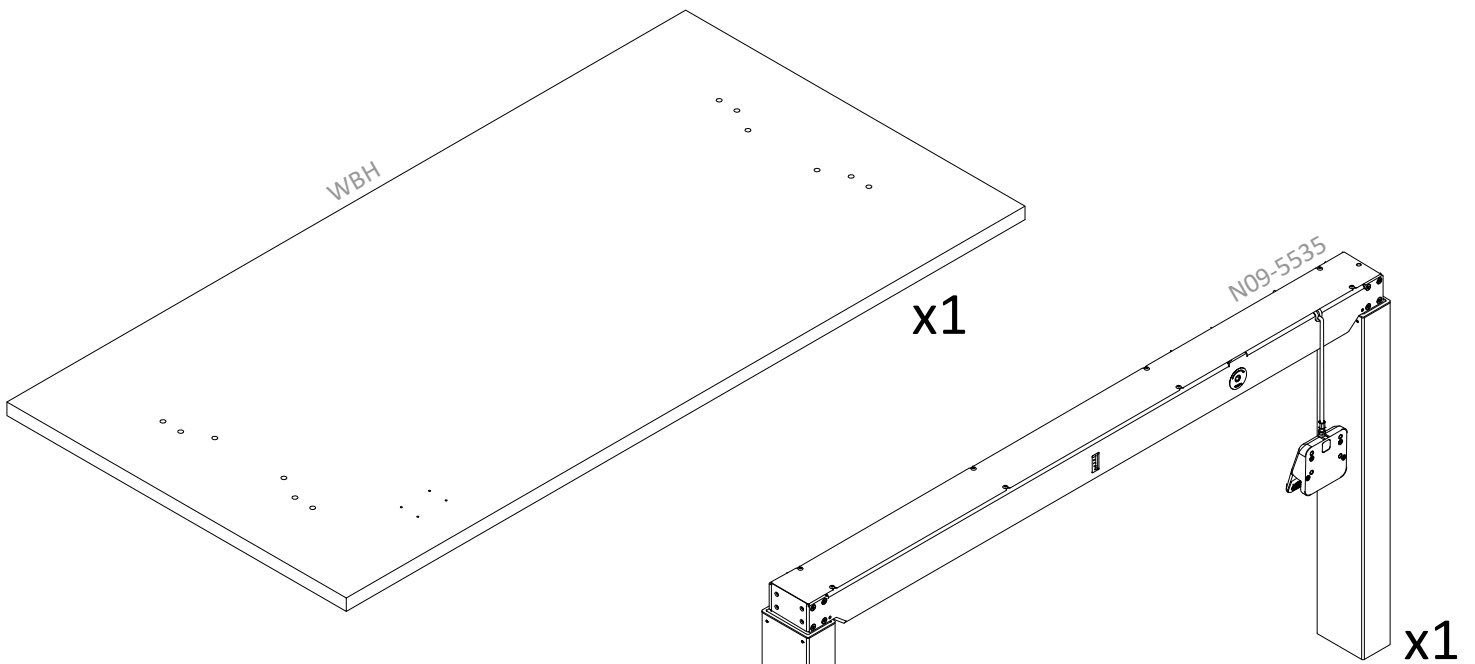


height-adjustable table counterbalance

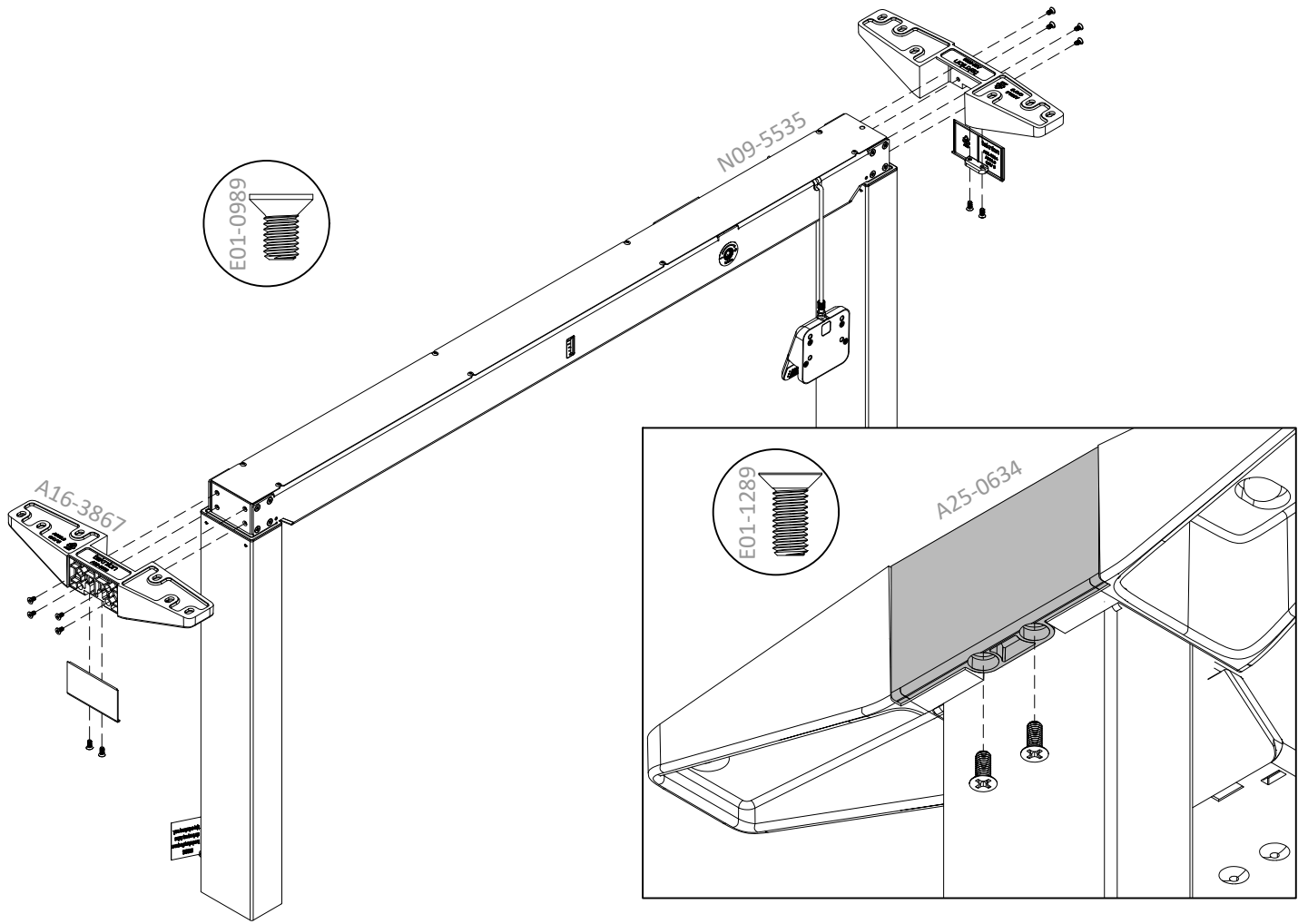


teknion

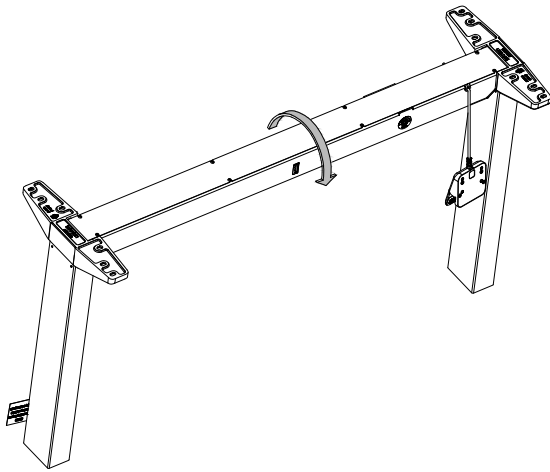


store.support@teknion.com
 store.teknion.com
 store.teknion.ca
 Rev. 00

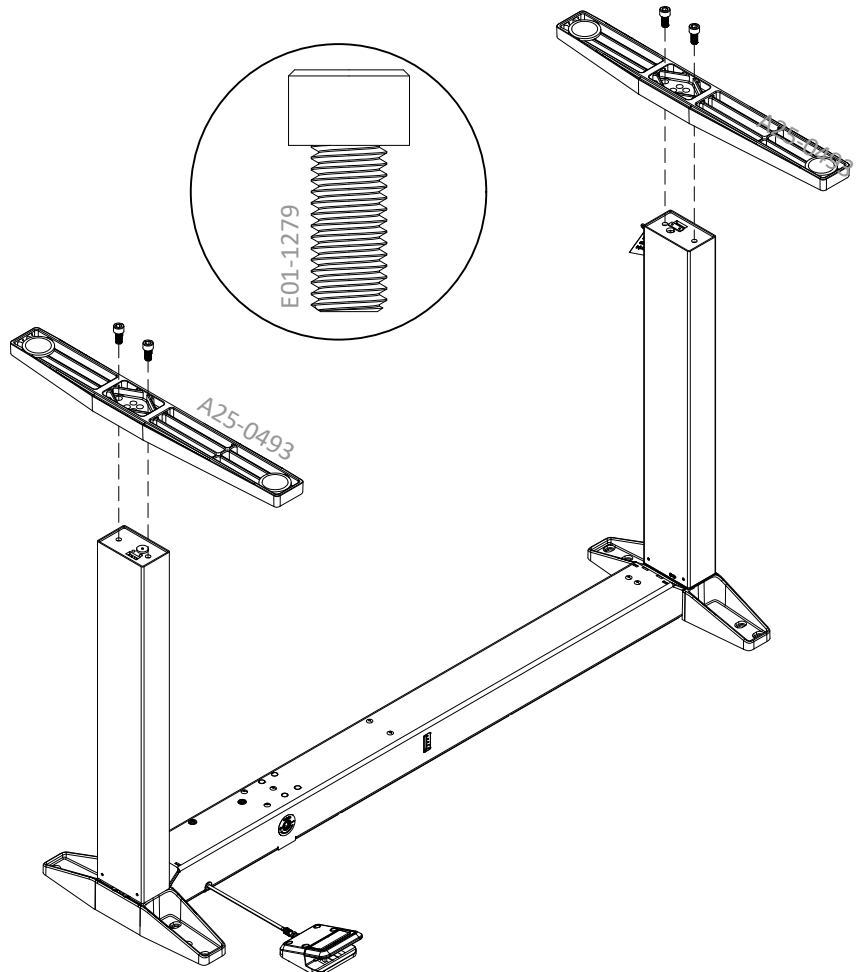
1



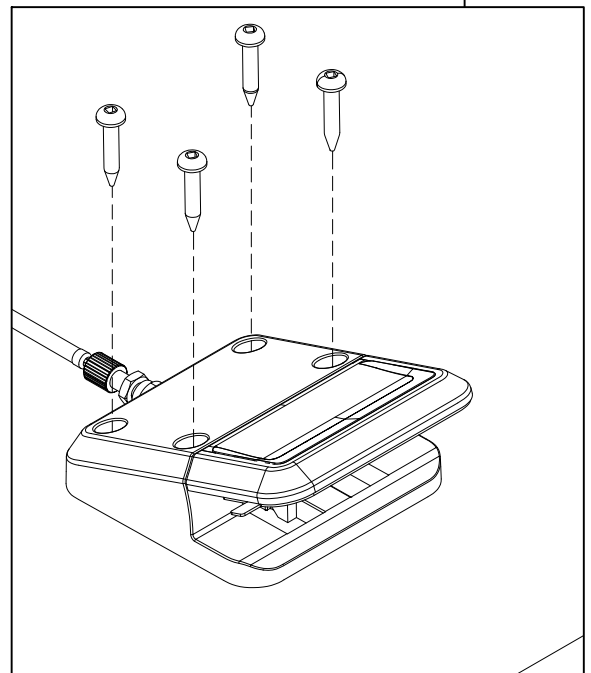
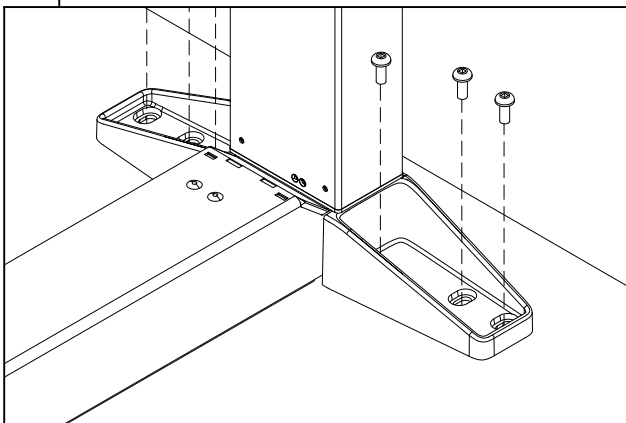
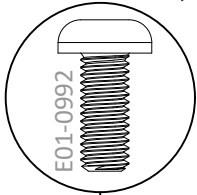
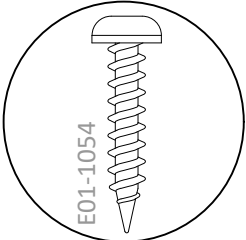
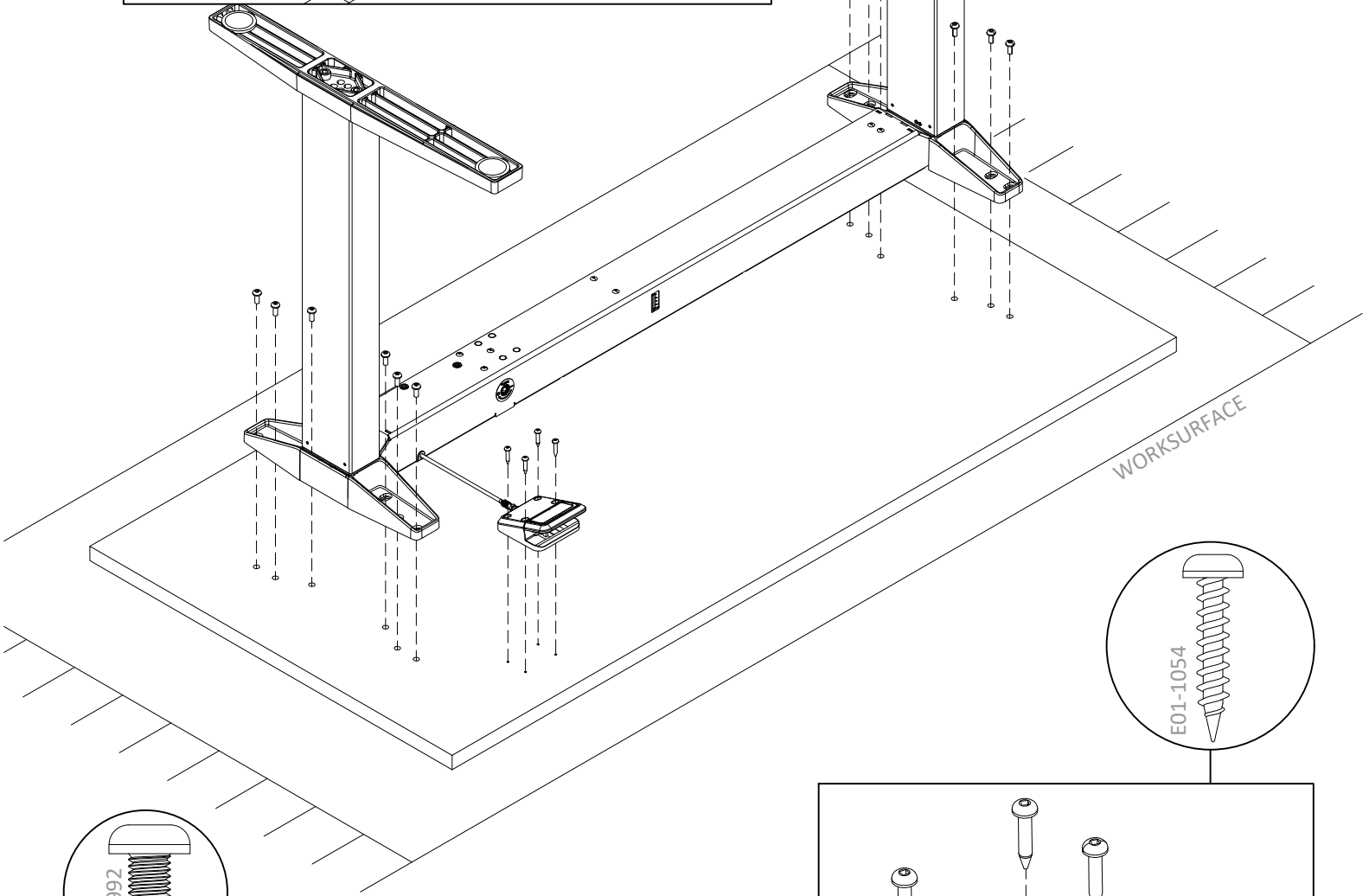
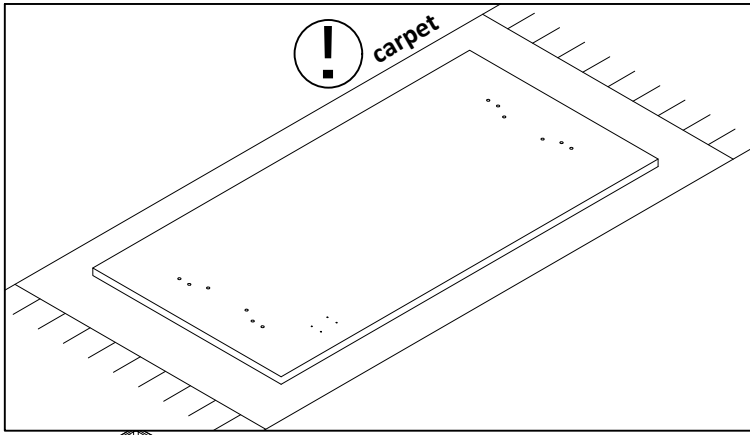
2



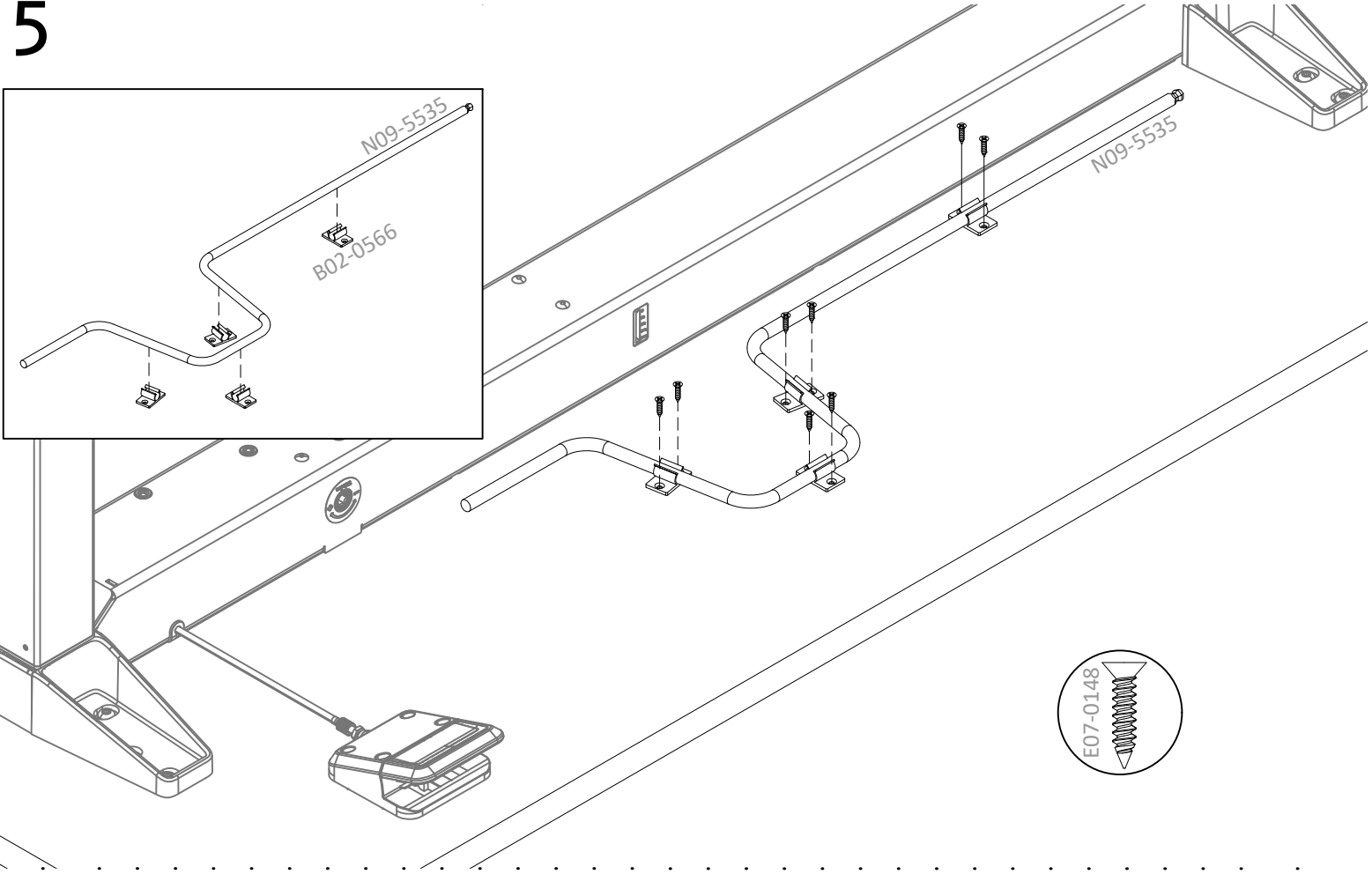
3



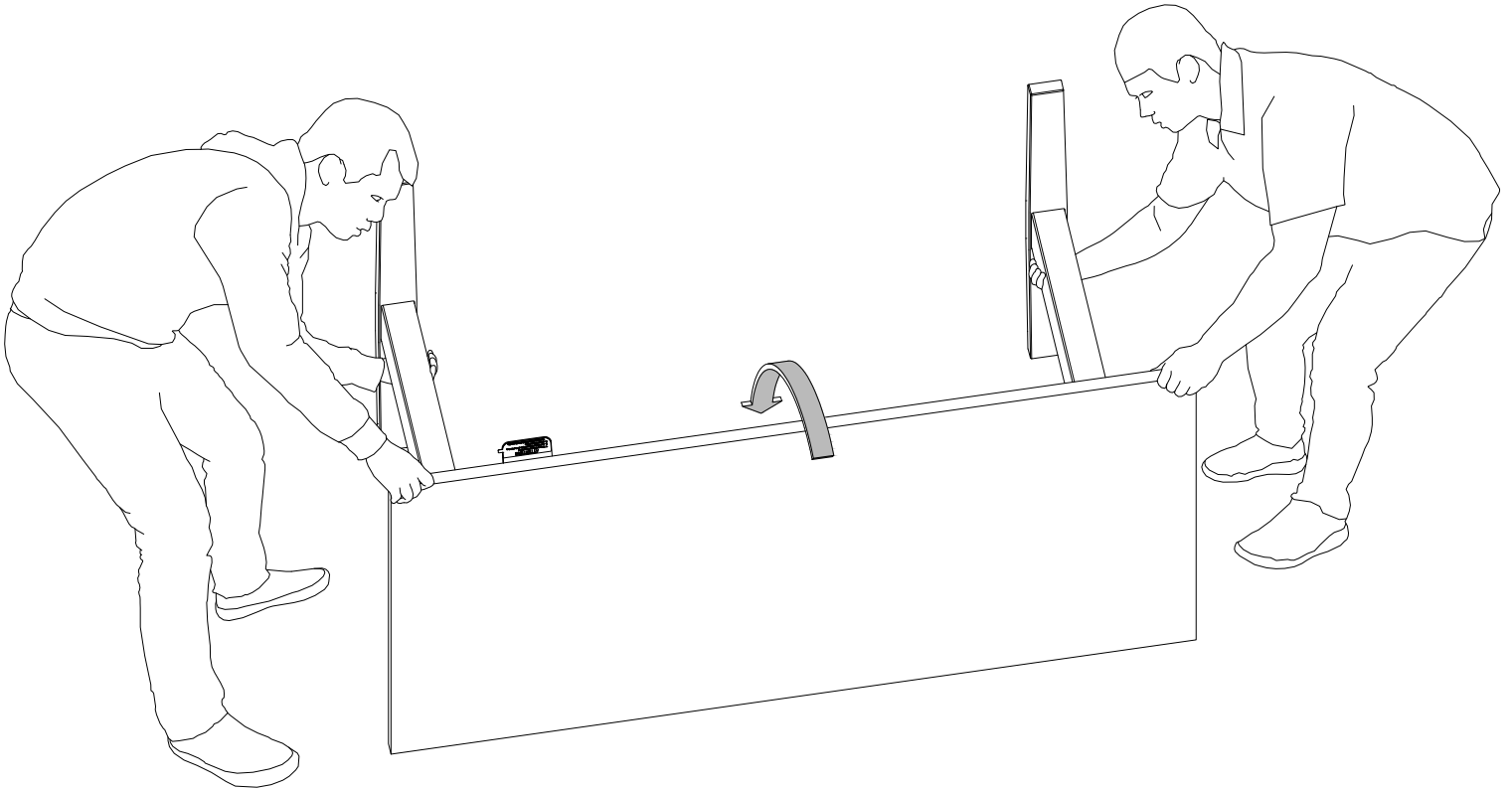
4



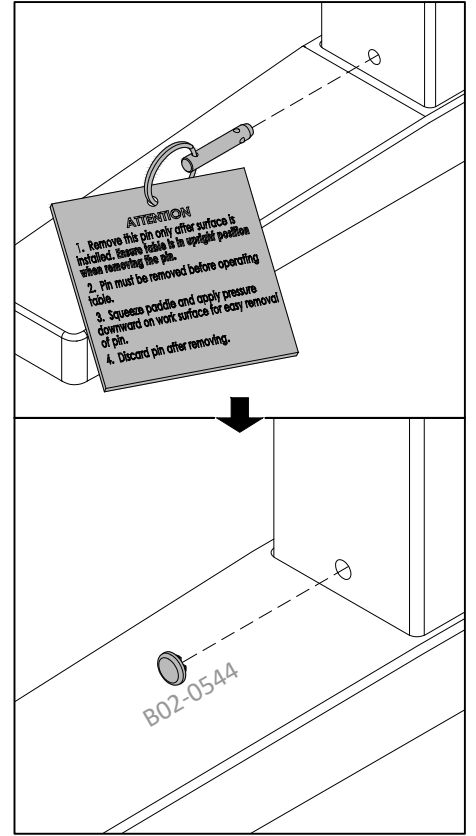
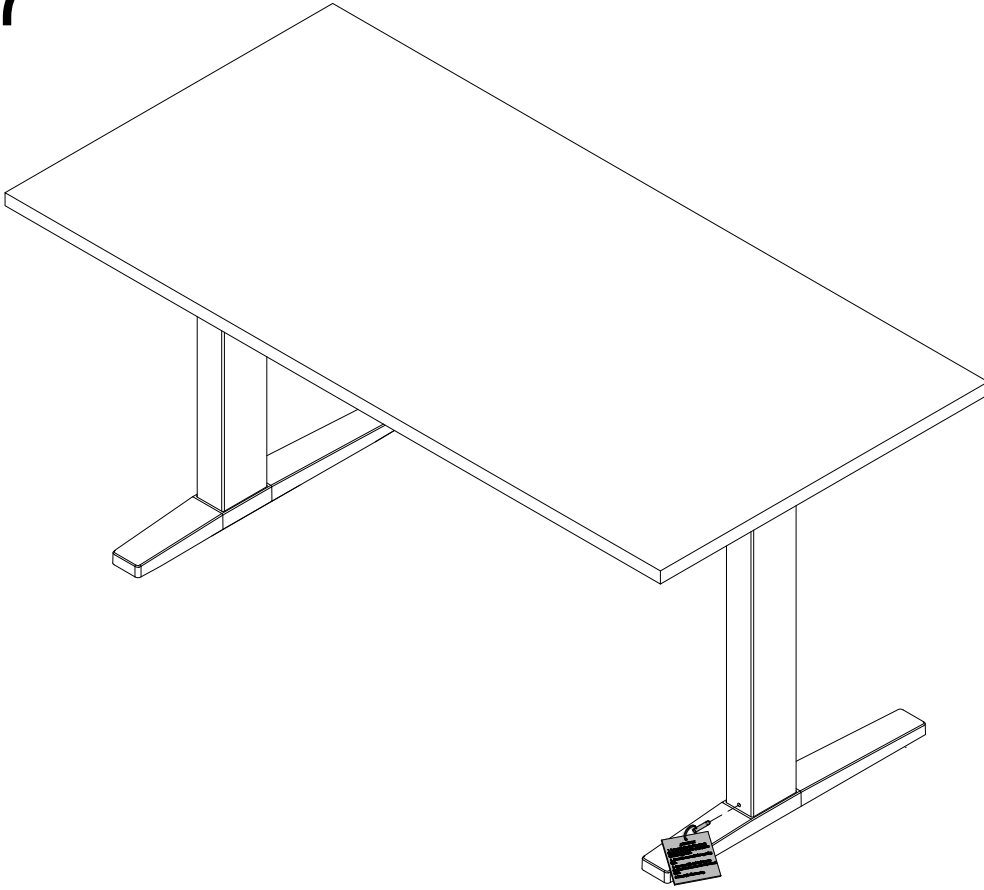
5



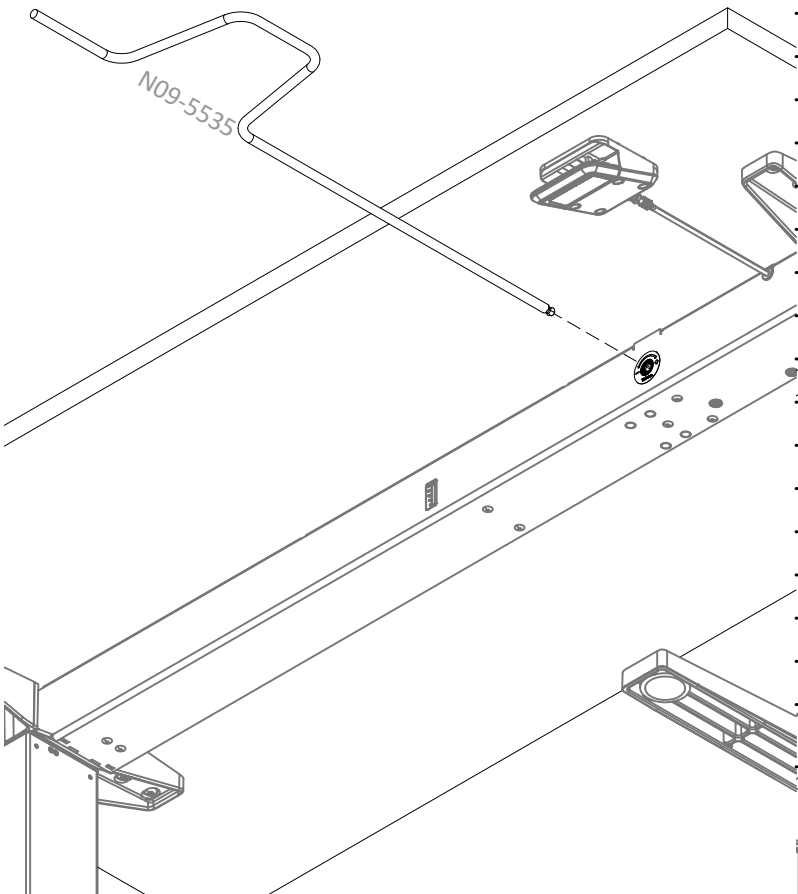
6



7

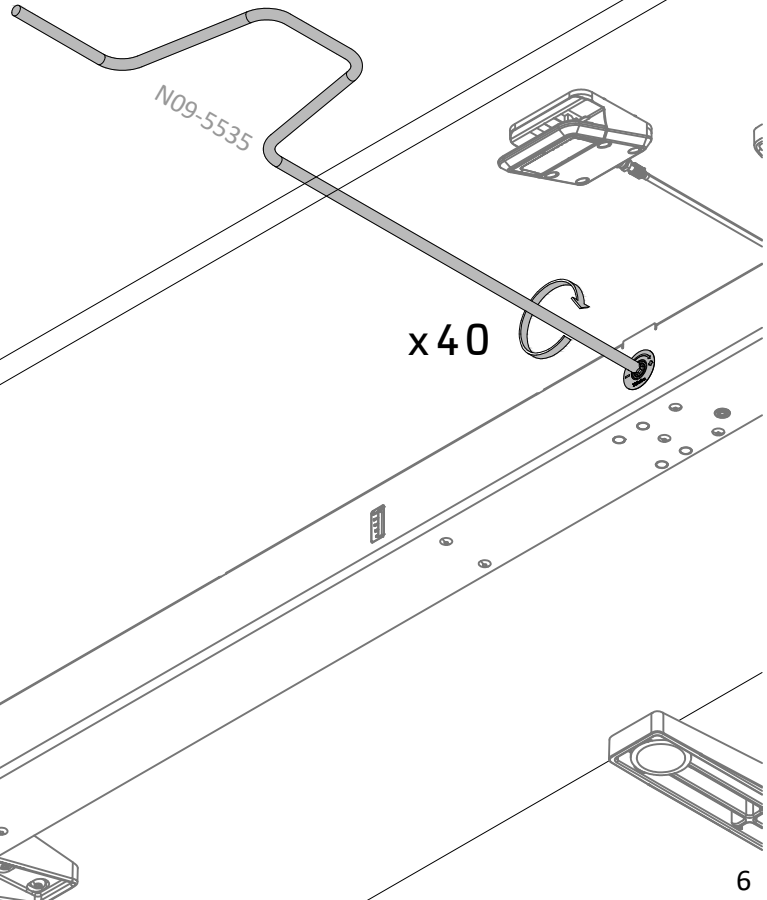


8



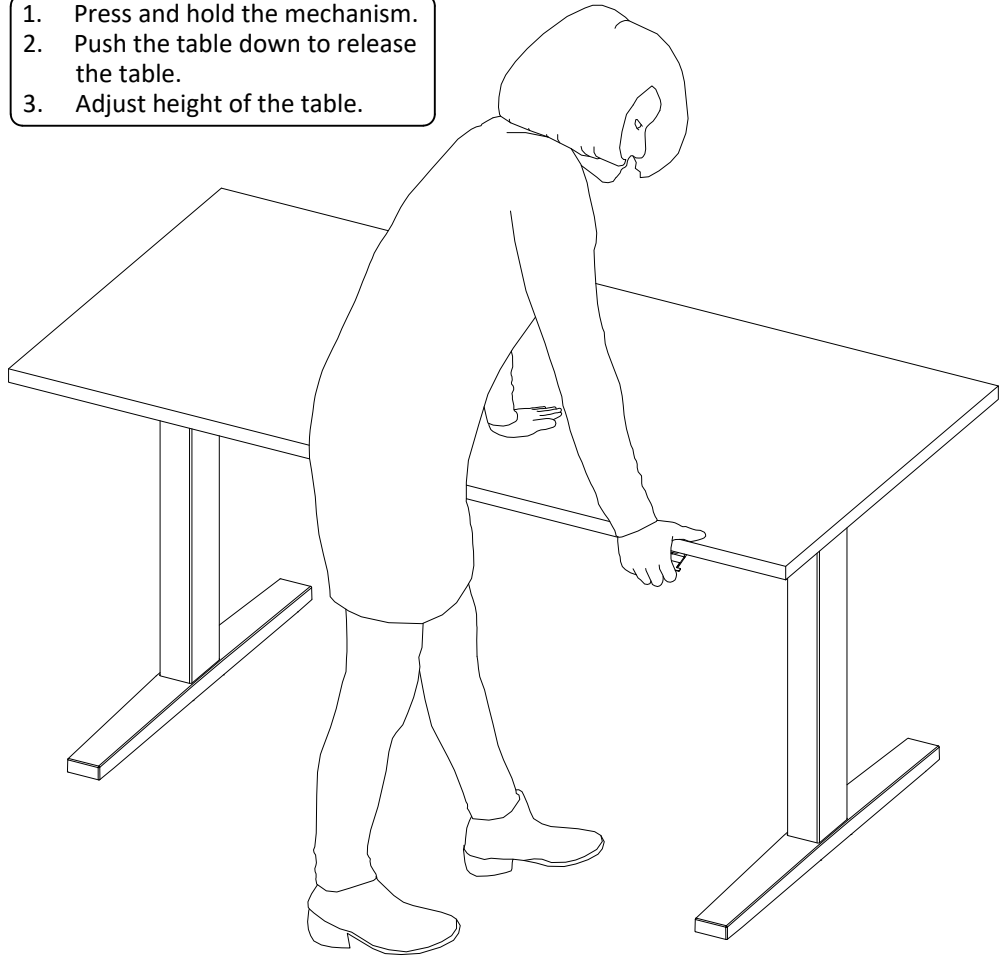
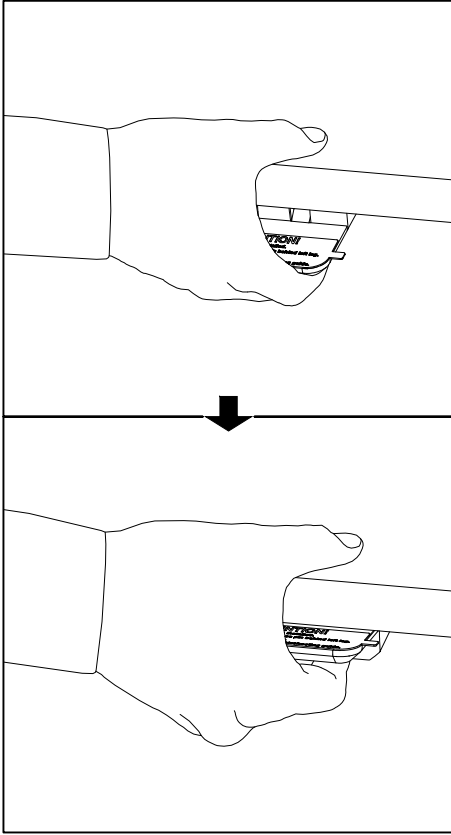
9

⚠ Rotate the rod 40 times to apply load on the frame



10

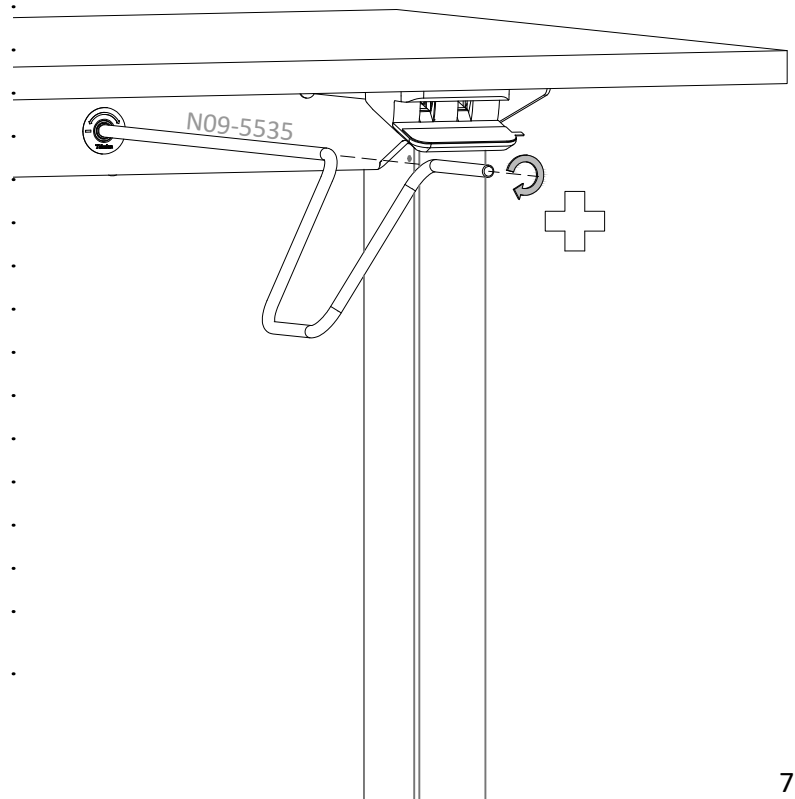
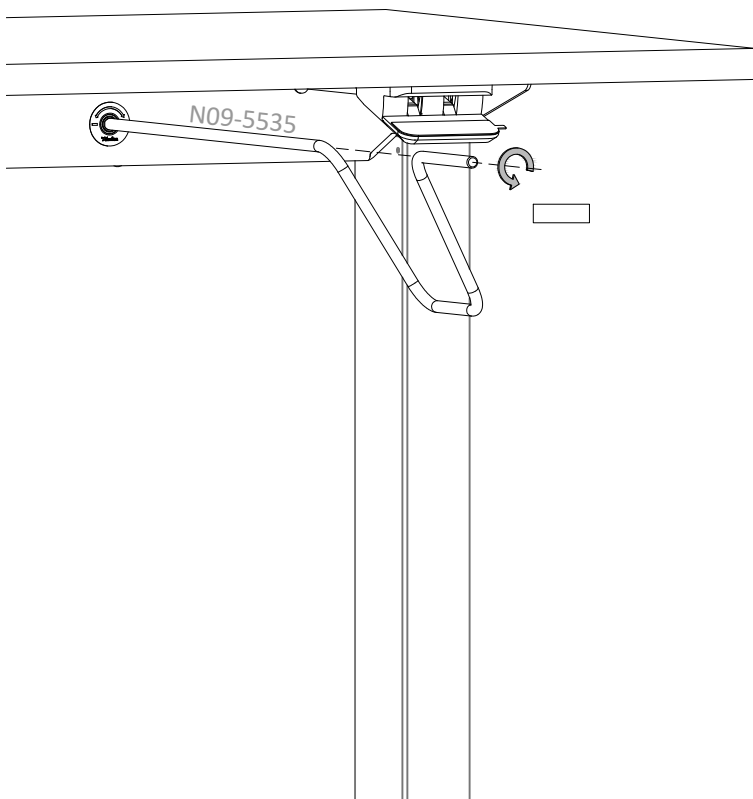
1. Press and hold the mechanism.
2. Push the table down to release the table.
3. Adjust height of the table.



If the table cannot be unlocked by pushing down, rotate the rod **COUNTER CLOCKWISE (-)** to loosen the mechanism.

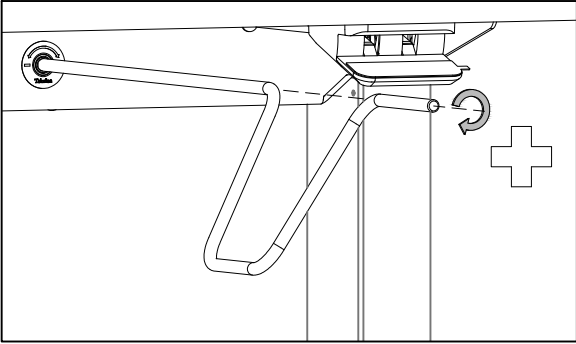
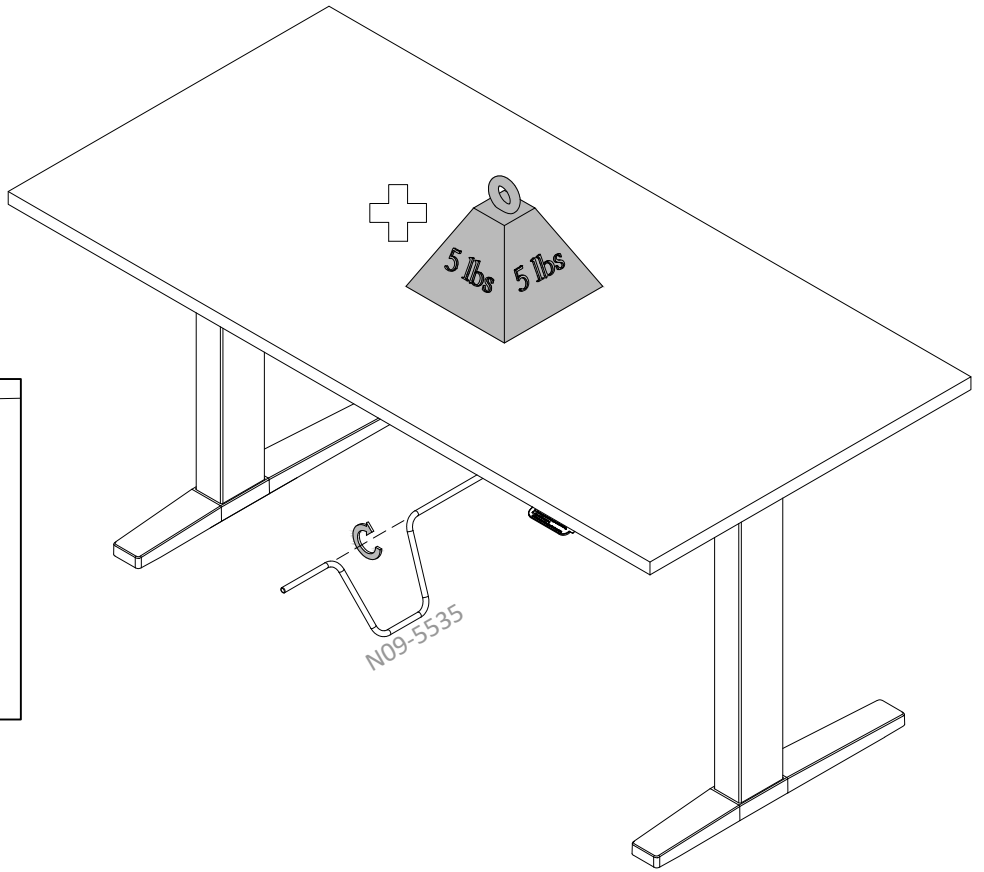


If the table moves but does not lock in place, tighten the mechanism by rotating the rod **CLOCKWISE (+)**.

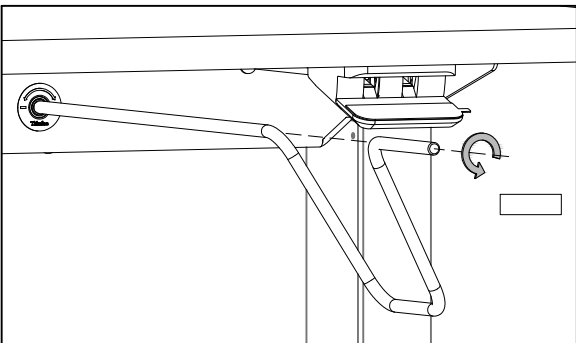
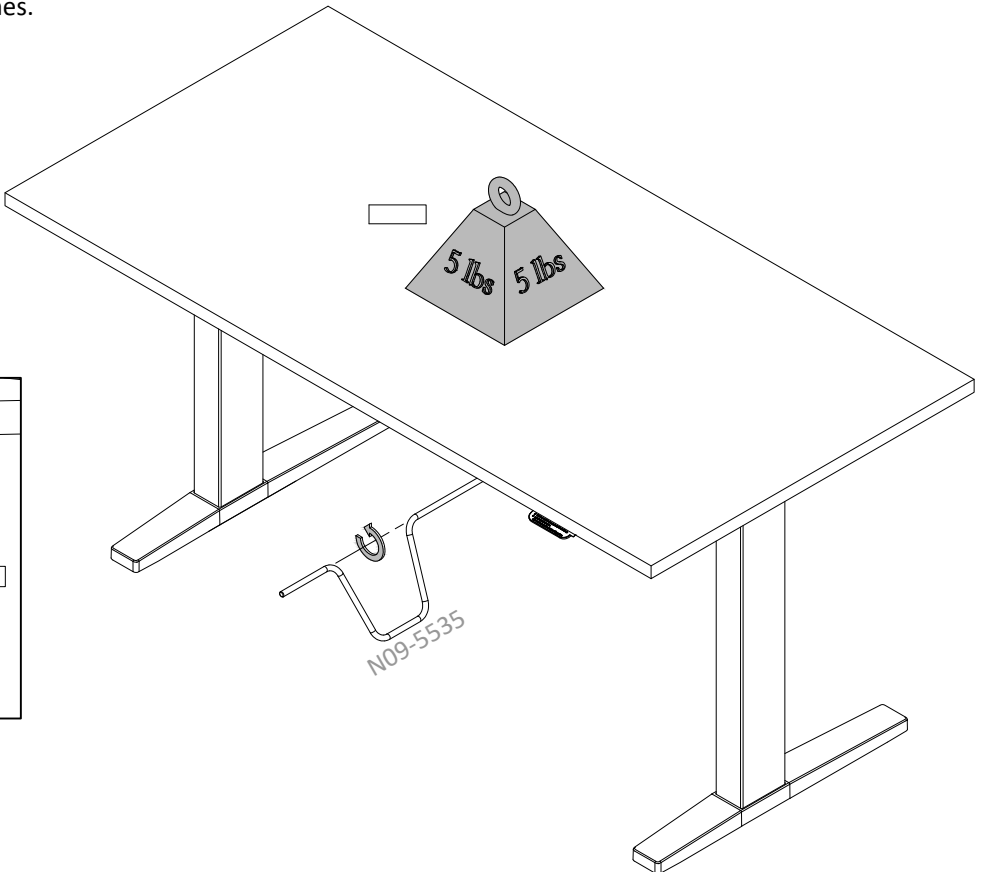




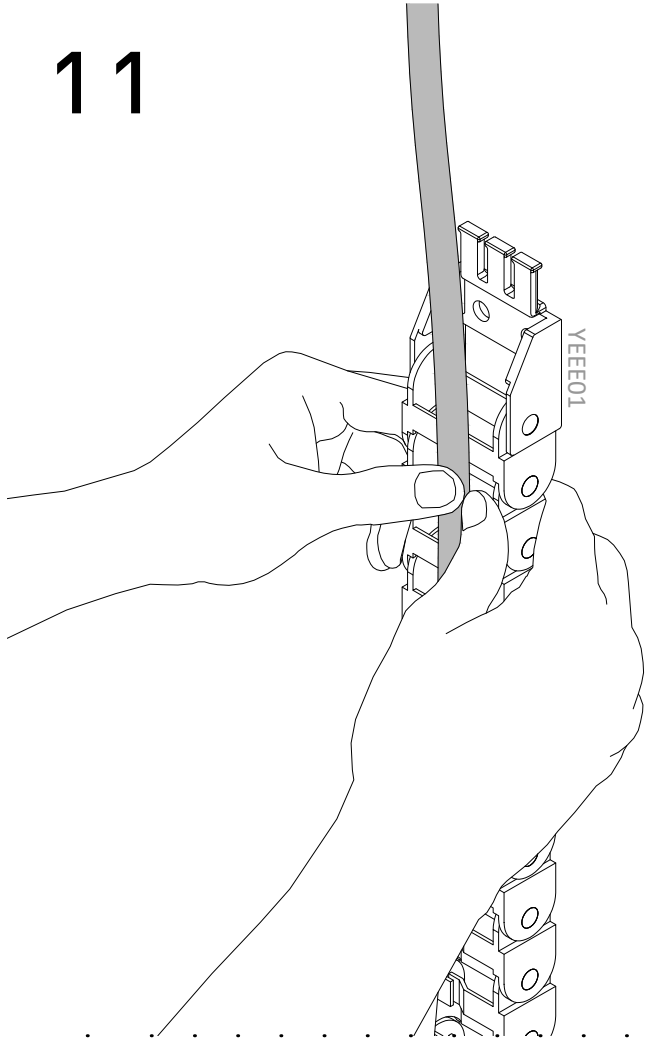
If adding objects on the table, every five(5) pounds, adjust the table by rotating the rod **CLOCKWISE (+)** EIGHT(8) times.



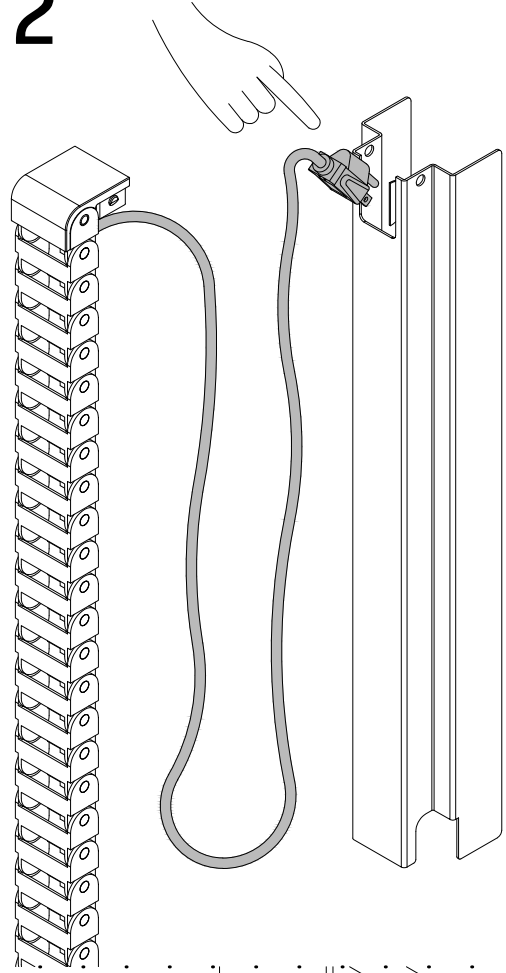
If removing objects off the table, every five(5) pounds, adjust the table by rotating the rod **COUNTER-CLOCKWISE (+)** EIGHT(8) times.



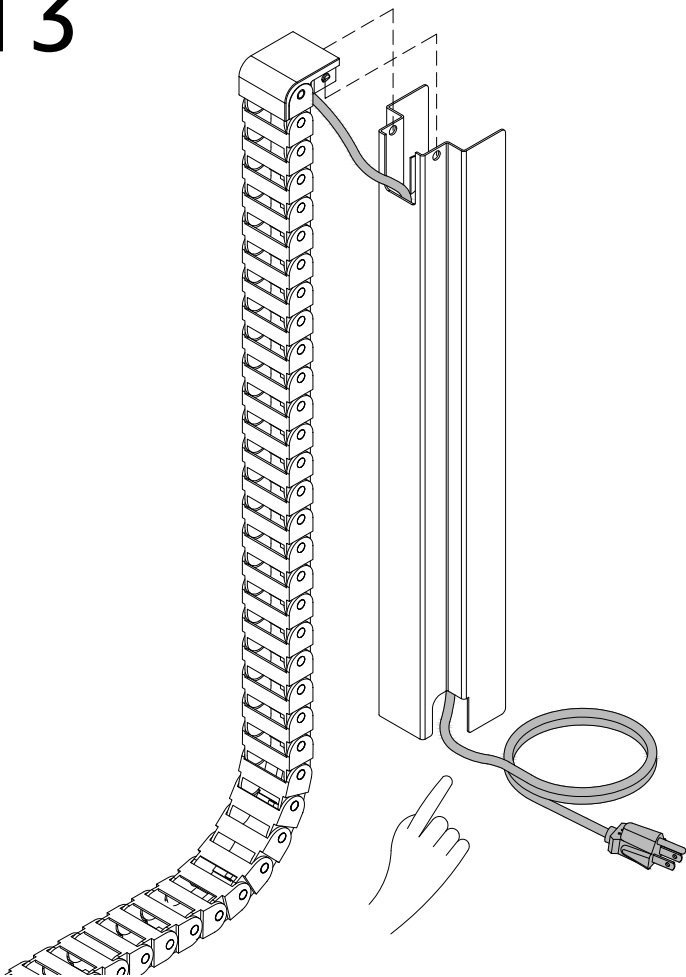
11



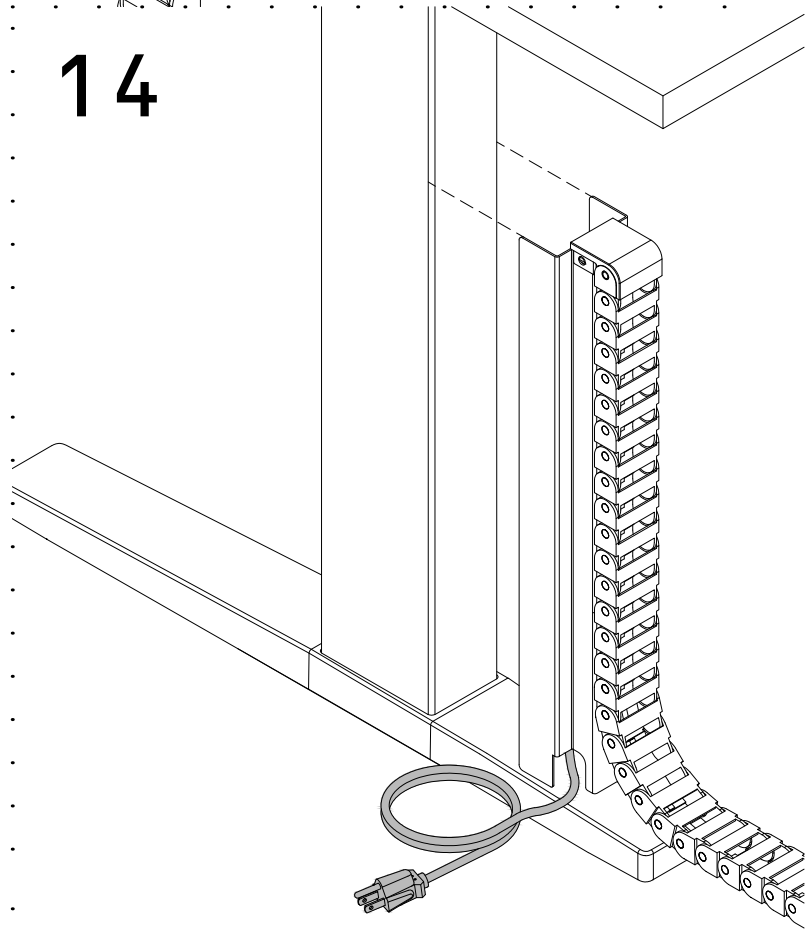
12



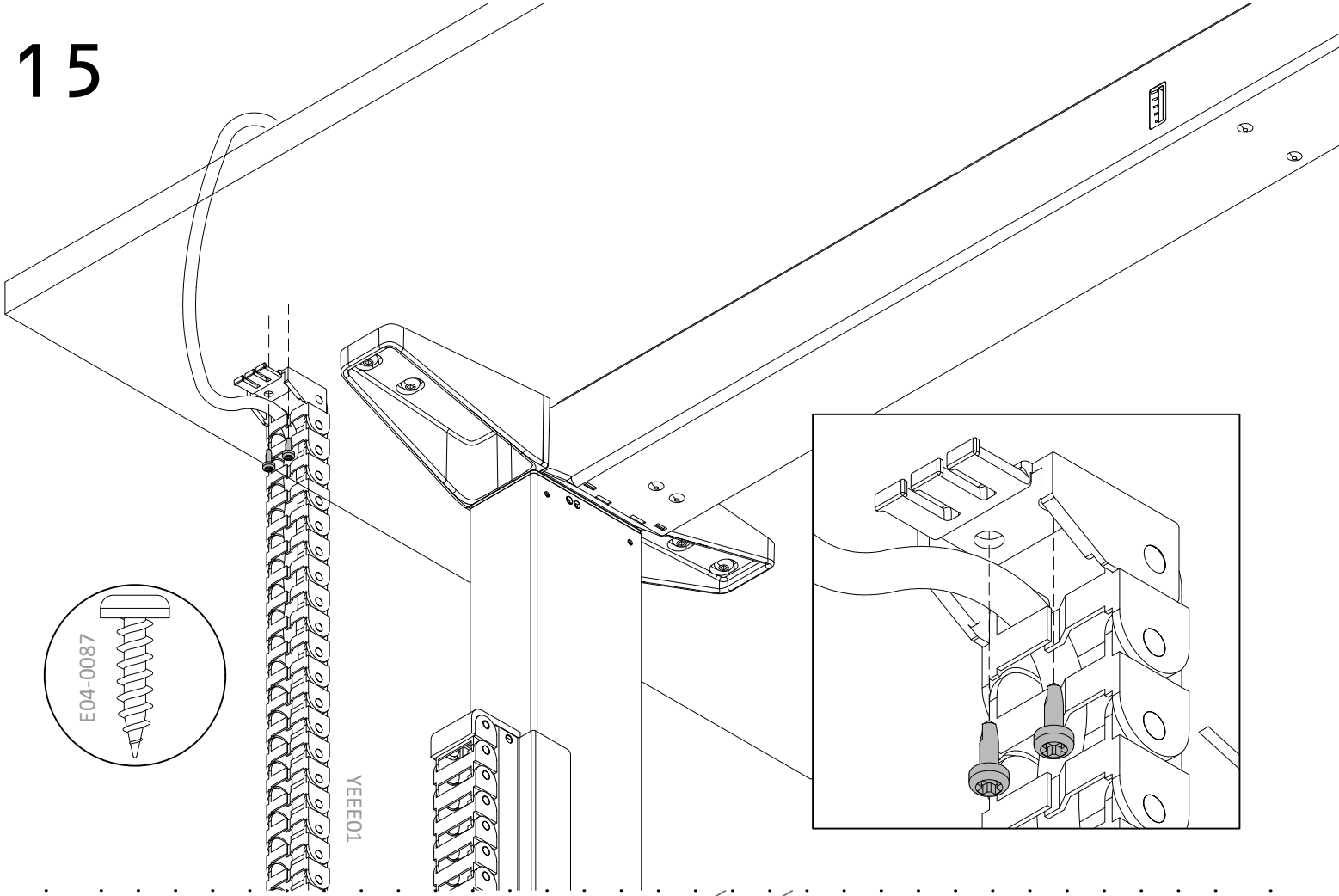
13



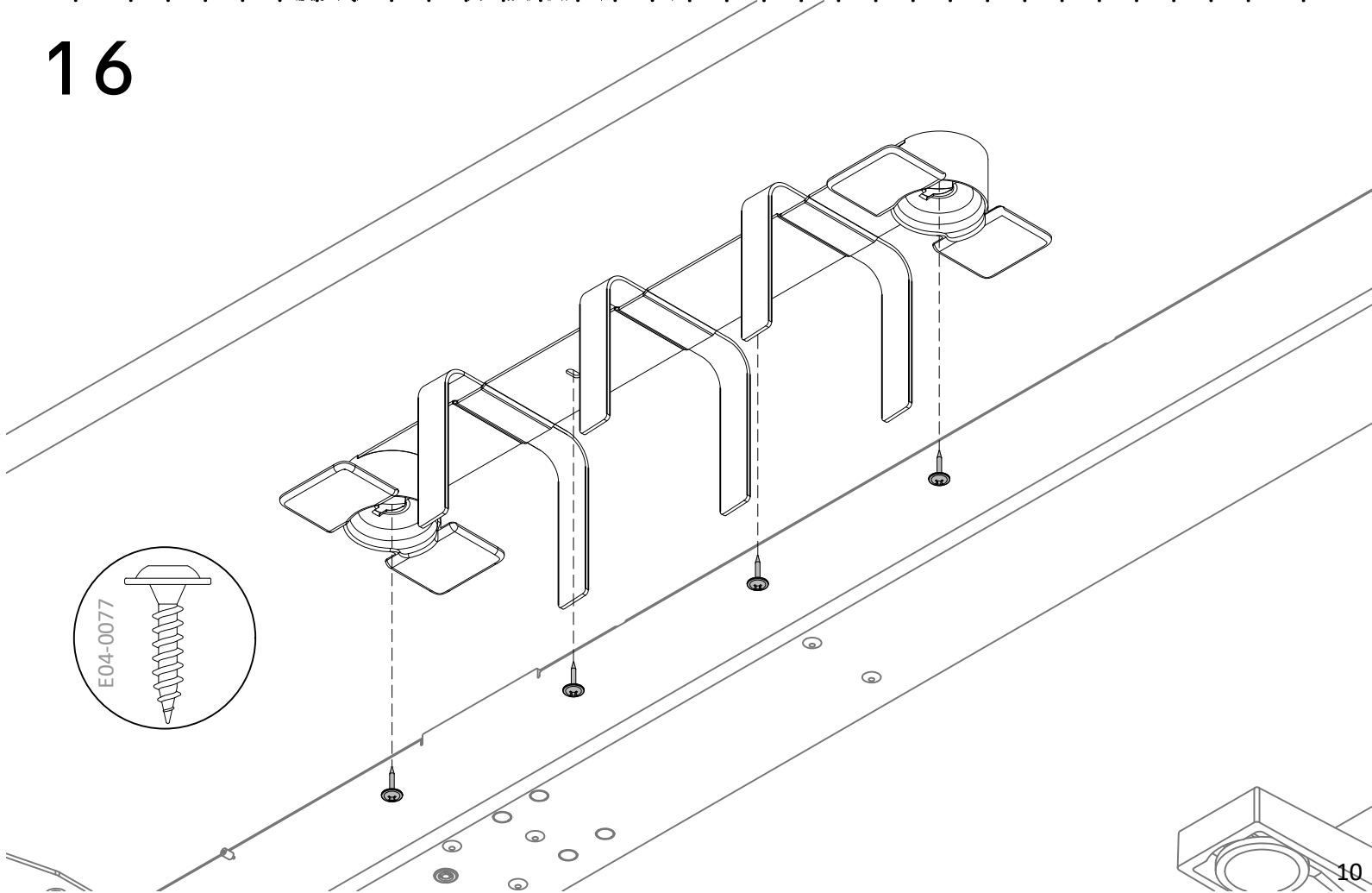
14



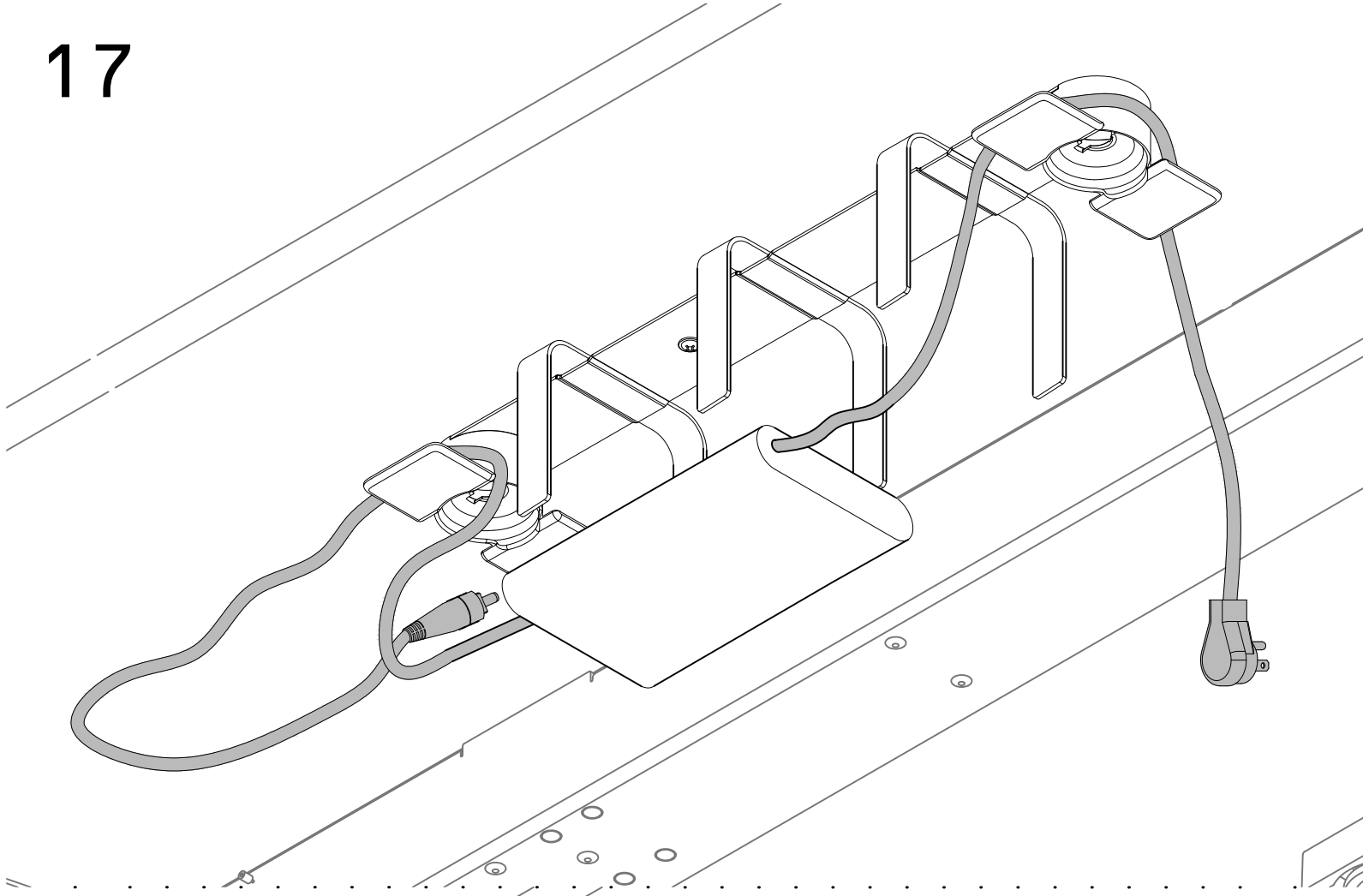
15



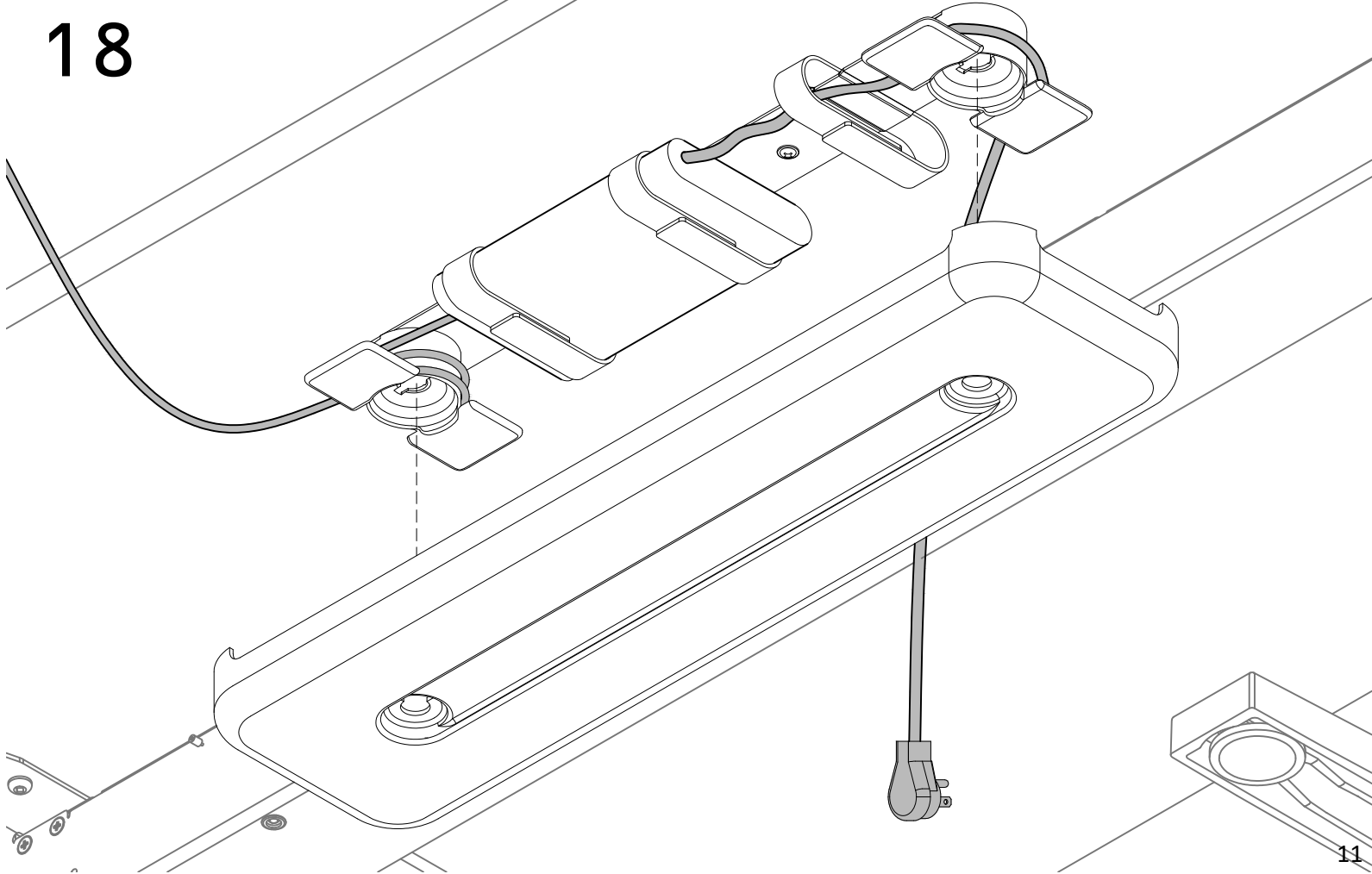
16



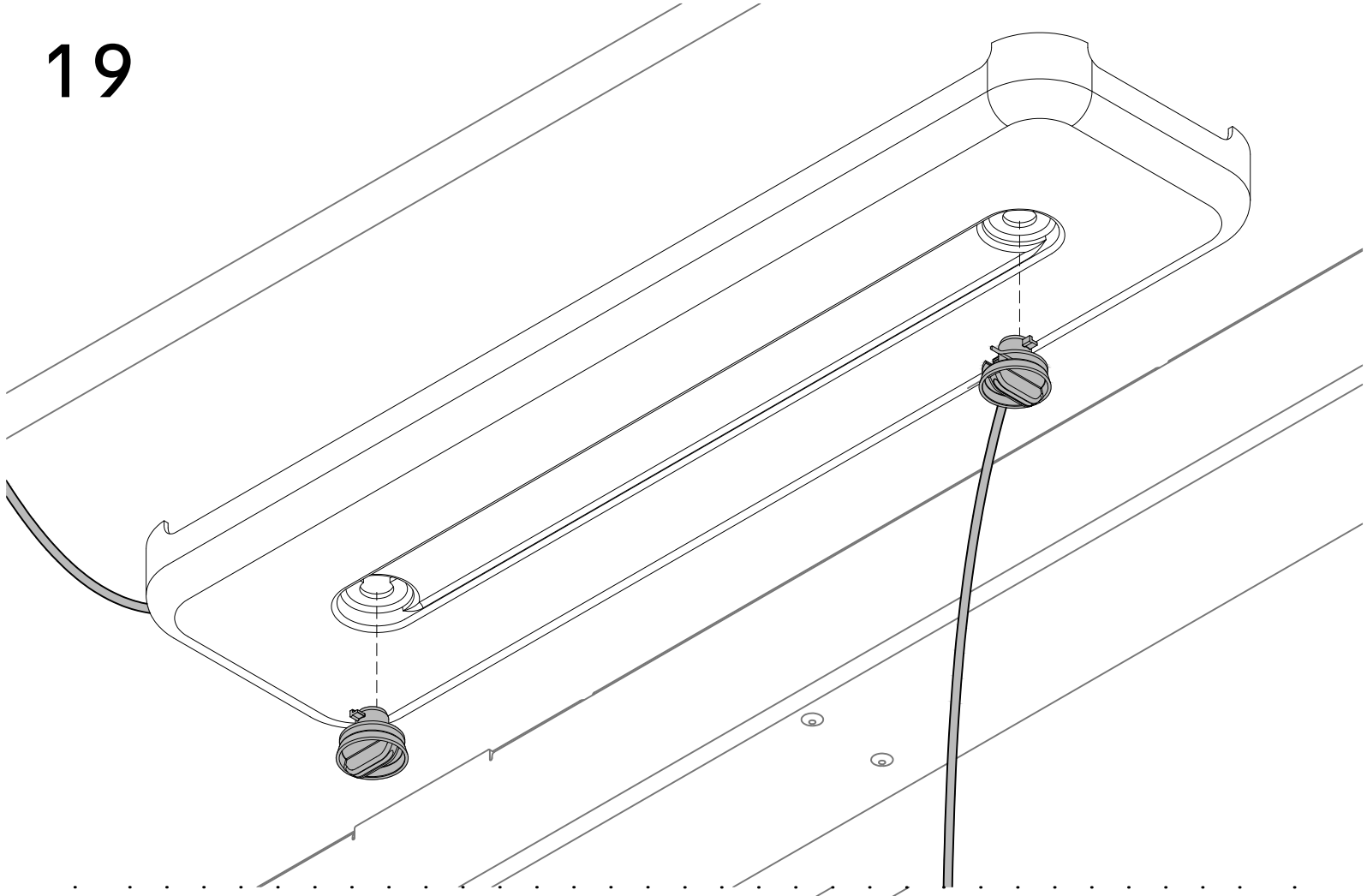
17



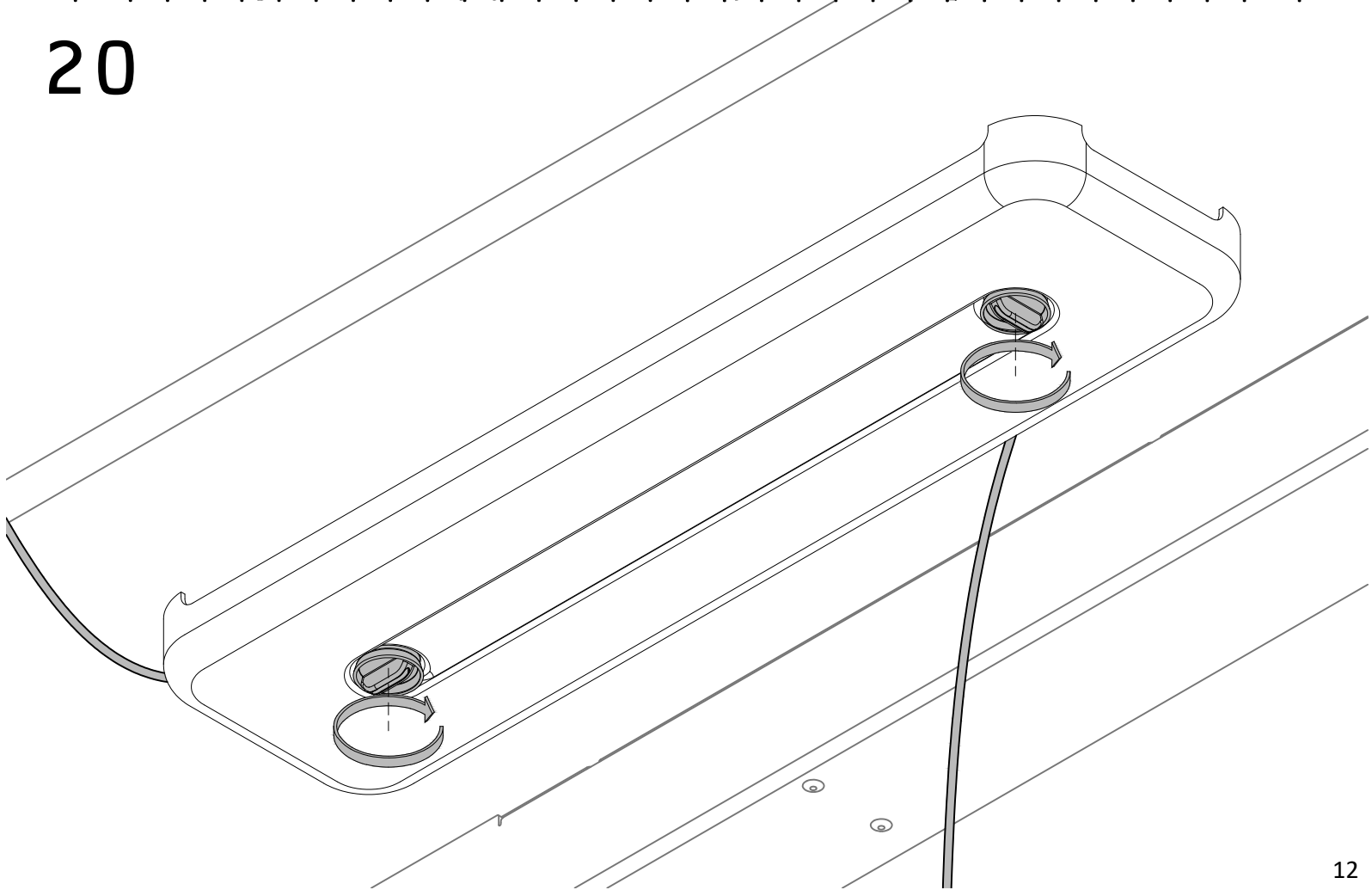
18



19



20



21

