

## Adagio™

## Emergency Light

With its simple, compact and contemporary design, the Adagio™ Emergency Light uses fully adjustable LED or MR16 lamps to illuminate settings. The lamp heads feature a fully rotating axis allowing for superior adjustability, and are shielded yet visible through clear polycarbonate lenses. The 2-piece thermoplastic injection molded body houses state-of-the-art electronics powered by sealed maintenance-free Lead Calcium or NiCad batteries, and offers a variety of load capacities in 6 or 12 volts. The unit comes standard with a manual “Push-to-Test” button and offers an optional Self-Diagnostic micro-controller.



	Features
<b>Body</b>	Durable injection-molded high impact thermoplastic housing Colors: Black or white
<b>Mounting</b>	Wall or ceiling mount Pendant kit available
<b>Illumination</b>	MR16 halogen or LED lamps, shielded by polycarbonate cover Lamps are fully adjustable
<b>Battery</b>	Lead Calcium battery standard NiCad battery option available
<b>Operating Temp</b>	50°F to 110°F (10°C to 40°C)
<b>Electronics</b>	Dual voltage, field-selectable input 120/277 VAC, 60Hz is standard External LED status indicator & Push-to-Test switch Self-Diagnostics (option)
<b>Self-Diagnostics</b>	Self-Diagnostic (optional) feature automatically tests for one minute every 30 days, 30 minutes in the 6th month and 90 minutes annually. When a fault is detected, the bi-color pilot light shall turn from green to red and start flashing. A legend on a label next to the pilot light shall display the source of failure.
<b>Warranty</b>	5 -year limited warranty

### Highlights

- Total load capacity up to 72 Watts
- Wall or ceiling mounts
- Remote capability
- Damp location (option)
- Self-Diagnostics (option)
- LED lamps (option)

### Compliance

- ANSI/NFPA-101
- ANSI/NFPA-70
- ANSI/UL924
- ICC (IBC & IFC)
- OSHA

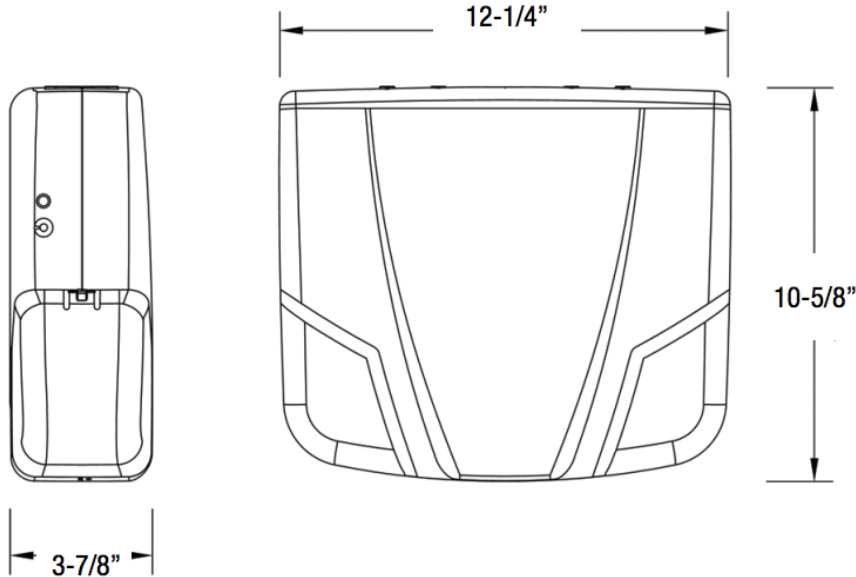


# Adagio™

## Emergency Light

### Product Dimensions & Details

Weight: 5 lbs. (2.26kg)



### Ordering Information

**Example:** ADGL-2C-WH-MB-WH-RA-TD

#### Series

ADGL = Adagio™ Emergency Light

#### Operation

2C = 6V, 18W  
 2D = 6V, 20W  
 2H = 6V, 30W  
 2K = 6V, 60W  
 4C = 12V, 40W  
 4D = 12V, 50W  
 4F = 12V, 72W

#### Legend

WH = White  
 BK = Black

#### Mounting

MB = Back Mount  
 MT = Ceiling Mount  
 MP = Pendant Mount

#### Lamp Type

WH = White  
 BK = Black

#### Lamp Type

RA = MR16 6V, 5W  
 RB = MR16 6V, 10W  
 RC = MR16 12V, 12W  
 RD = MR16 12V, 20W  
 LA = MR16 LED 6V, 4W  
 LH = MR16 LED 12V, 4W  
 LJ = MR16 LED 12V, 5W  
 LK = MR16 LED 12V, 6W

#### Options

TD = 15 Minute Time Delay  
 LD = Damp Location  
 SD = Self Diagnostics

### Extended Run-Time Chart

		Operation						
		2C 6V, 18W	2D 6V, 20W	2H 6V, 30W	2K 6V, 60W	4C 12V, 40W	4D 12V, 50W	4F 12V, 72W
Run-Time	90 mins	18	20	30	60	40	50	72
	2 Hours	14	15	20	40	30	36	54
	3 Hours	9	10	15	30	20	24	36
	4 Hours		8	10	20	15	18	27

The Exit Store LLC  
 303 W Lancaster Ave #138  
 Wayne, PA 19087  
 Toll Free: 844-438-3948 [844-GET-EXIT]  
 Tel: 484-913-1916  
 Fax: 484-913-1919  
 sales@theexitstore.com

www.theexitstore.com