

Cascadia™

Recessed Edge-Lit Exit Sign

The Cascadia™ CFEL is a die-cast, ceiling recessed, edge-lit exit sign. This fixture is commonly used in hotels, restaurants, and high end buildings. Non-traditional colors such as bronze, brass and chrome are available for special applications requiring certain aesthetic appeal. The fixture meets UL924, NFPA 101 and is approved for use in the five boroughs of NYC with the 8" lettering option.



	Features
Body	Rugged brushed aluminum trim plate is available with choice of finish
Mounting	Ceiling recessed mounting only Back box includes mounting compatibility with drywall or acoustic ceilings via 27" hanger bars
Face	Optical quality virgin acrylic panel is laser-engraved for sharp definition of letters and chevrons Available with 6" or 8" (NYC) letters Face panel snaps securely into fixture
Illumination	High-output LED's providing bright, clear illumination Panels utilize LED sensitive inks formulated for rich, even illumination
Battery	NiCad battery (90 minute run time) standard
Operating Temp	32°F to 104°F (0°C to 40°C)
Electronics	Solid state transfer LED AC-On status indicator Close tolerance circuit & brownout protection Temperature compensated charger Low voltage disconnect provides total load disconnect (battery) protection to guard against deep discharge during extended power outages
Self-Diagnostics (Option)	The unit will stay illuminated during emergencies for at least 90 minutes. When specified, the self-powered unit includes functions for self-testing and silent diagnostics. The unit will conduct automatic tests for one minute every 30 days, 30 minutes every 60 days and 90 minutes annually. A diagnostic circuit continuously monitors the battery, charger and LED lamps. In the event of a fault, the pilot light will change color from green to red and flash with a code. In the case of a disconnected battery, the red light will stay steady on; if a battery failure occurs it will flash with one blink, if a charger failure occurs it will show two blinks. It will show four blinks for LED lamp failure. A label with the legend is next to the pilot light.
Warranty	5 -year limited warranty

Highlights

- Computer engraved acrylic panel
- LED sensitive ink provides superior clarity
- Hi Performance ALINGAP LED Technology
- Custom finish available
- Meets ARRA/Buy America requirements

Compliance

- UL924
- ANSI/NFPA-101
- ANSI/NFPA-70 (NEC)
- ICC (IBC & IFC)
- OSHA



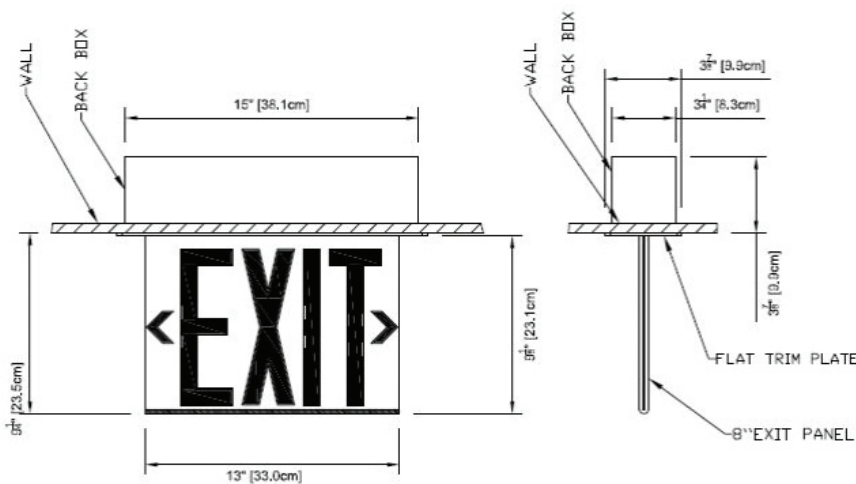
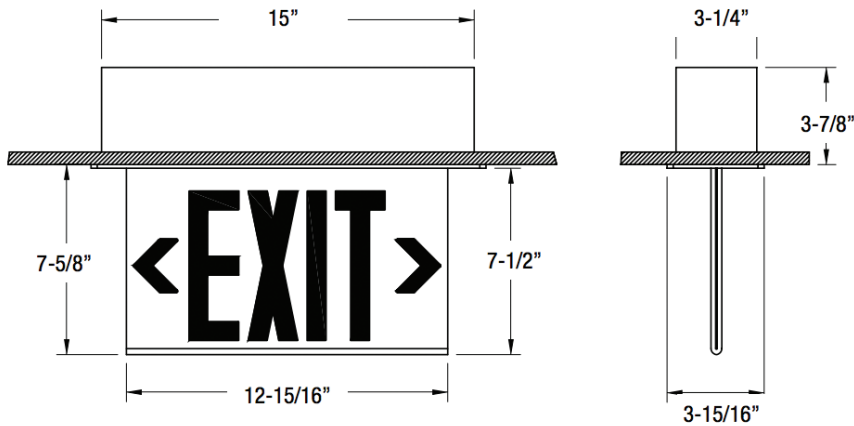
Cascadia™

Recessed Edge-Lit Exit Sign

Product Dimensions & Details

Weight: 11 lbs. (4.98kg)

Ordering Information



Example: CFEL-EM-R-1-C-BK-MC-AB-CW

Series

CFEL Cascadia™ Recessed Edge-Lit Exit Sign

Operation

EM = Battery Backup

AC = AC Only

Legend

R = Red

G = Green

R8 = Red - 8" letter EXIT

Face Count

1 = Single Face

2 = Double Face

Face Color

C = Clear

M = Mirror

W = White

Housing Color

BK = Black

WH = White

BA = Brushed Aluminum

CR = Polished Chrome

BZ = Bronze

BR = Brass

Mounting

MC = Ceiling Recessed Mount

Chevrons

AB = Double Arrow

AL = Arrow Left

AR = Arrow Right

AS = Right & Left Arrow – Double Face Only

AU = Universal Chevron Kit-Field Install

AN = No Arrows

Options

CW = Custom Wording

CX = Dual Circuit 120 / 277 V

SD = Self Diagnostics

The Exit Store LLC
 303 W Lancaster Ave #138
 Wayne, PA 19087
 Toll Free: 844-438-3948 [844-GET-EXIT]
 Tel: 484-913-1916
 Fax: 484-913-1919
 sales@theexitstore.com

www.theexitstore.com