

EL1™
Emergency Light

The EL1™ Emergency Light is an economical solution for emergency egress requirements. The injection-molded thermoplastic housing is rated 5VA and is impact resistant. A pair of 5.4W incandescent lamps is included and is adjustable for directional lighting.


Features

Body	Impact resistant, injection molded 5VA flame retardant thermoplastic housing
Mounting	Back mount only
Illumination	2 x 5.4 Watt glare-free incandescent lamps
Battery	6 volt 4.5 amp hour sealed lead acid battery Replacement battery UB645
Operating Temp	68°F to 122°F (20°C to 50°C)
Electronics	Solid state charger & transfer LED AC-On status indicator Close tolerance circuit and brownout protection Low-voltage disconnect provides total load disconnect (battery) protection to guard against deep discharge during extended power outages
Self-Diagnostics (Option)	The Self-Diagnostic test performs monthly, biannually, and annual tests to ensure reliability. Meets electrical and life safety codes
Warranty	3 -year limited warranty

Highlights

- UL Listed to 924 Standard
- cUL marking meets - CAN/CSA-c22.2 No. 141-02 standard
- 3-hour runtime (option)
- Self-Diagnostics (option)

Compliance

- ANSI/NFPA-101
- ANSI/NFPA-70
- ANSI/UL924
- ICC (IBC & IFC)
- OSHA
- C-UL



EL1™

Emergency Light

Product Dimensions & Details

Weight: 4 lbs. (1.81kg)

Ordering Information
Example: EL1-WH-SD

Series

EL1 = EL1™ Emergency Light

Housing Color

WH = White

BK = Back

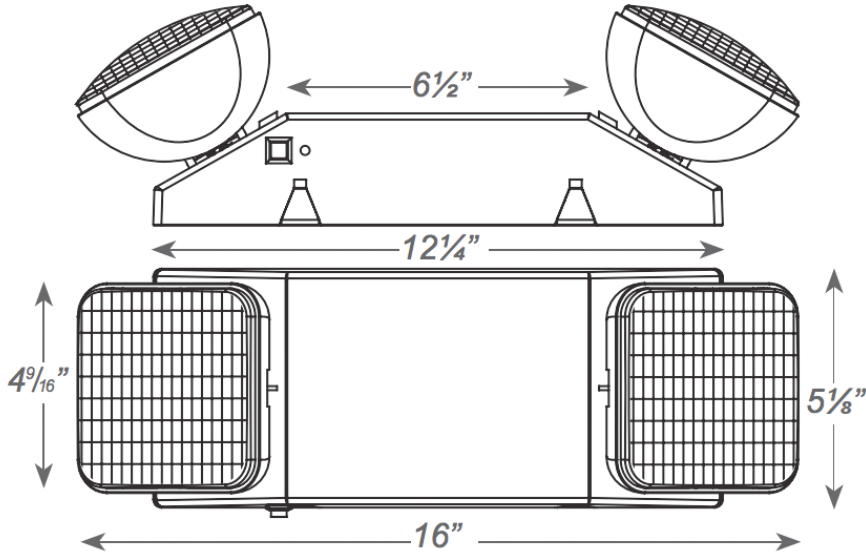
Options

SD = Self Diagnostics

US = Assembled in the USA

UC = Listed for Canada

RC = Remote Capable


Power Consumption
Power Input: 120/277 VAC

Operation	Max Watts
Base Unit	4W / 0.040 A, 5W / 0.020 A
Unit with SD	4.5W / 0.040 A, 4.5W / 0.030 A

The Exit Store LLC
 303 W Lancaster Ave #138
 Wayne, PA 19087
 Toll Free: 844-438-3948 [844-GET-EXIT]
 Tel: 484-913-1916
 Fax: 484-913-1919
 sales@theexitstore.com

www.theexitstore.com