

## LEL1™

## LED Emergency Light

The LEL1™ LED Emergency Light features a compact design that is unobtrusive and minimalistic. Composed of a flame-retardant thermoplastic material, the fixture houses two adjustable LED lamp heads. Each lamp head houses a cluster of high-output LEDs for increased light efficacy.



### Features

<b>Body</b>	UV stabilized, UL94 5VA flame-retardant ABS thermoplastic housing Available in white or black
<b>Mounting</b>	Back mount
<b>Illumination</b>	Ultra-bright LED lampheads
<b>Battery</b>	Long-life, maintenance-free rechargeable NiCad battery
<b>Operating Temp</b>	32°F to 122°F (0°C to 50°C)
<b>Electronics</b>	Dual voltage, field-selectable input 120/277 VAC, 60Hz is standard External LED status indicator and push-to-test switch Self-Diagnostics (option) Custom voltage (option) for 208/220/240 Volts, 50/60 Hz
<b>Self-Diagnostics (Option)</b>	The Self-Diagnostic test performs monthly, biannually, and annual tests to ensure reliability. Meets electrical and life safety codes
<b>Warranty</b>	3 -year limited warranty

### Highlights

- Self-Diagnostics (option)
- LED lamp heads
- Damp Location Rated
- Flame retardant
- Mounting hardware included

### Compliance

- ANSI/NFPA-101
- ANSI/NFPA-70
- ANSI/UL924
- ICC (IBC & IFC)
- OSHA



# LEL1™

## LED Emergency Light

### Product Dimensions & Details

Weight: 4 lbs. (1.81kg)

### Ordering Information

Example: LEL1-WH-SD

#### Series

LEL1 = LEL1™ LED Emergency Light

#### Housing/Frame Color

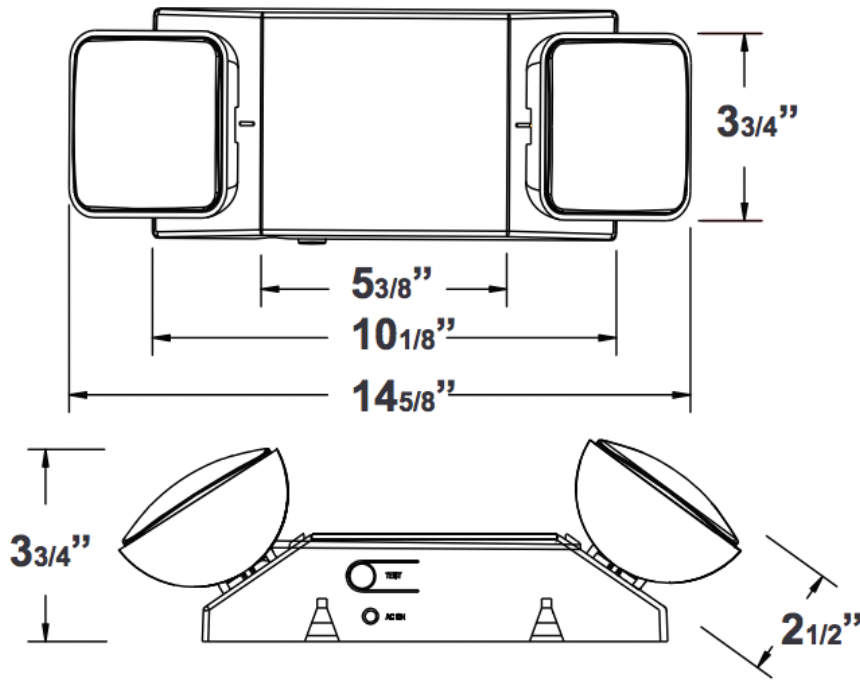
WH = White

BK = Black

#### Options

SD = Self Diagnostics

VF = Custom Voltage & Frequency



### Power Consumption

Power Input (VAC)	120	277	208	220	240
Base Unit (W)	1.8	1.8	2.6	3.5	3.1
Unit with SD (W)	1.6	1.6			

The Exit Store LLC  
 303 W Lancaster Ave #138  
 Wayne, PA 19087  
 Toll Free: 844-438-3948 [844-GET-EXIT]  
 Tel: 484-913-1916  
 Fax: 484-913-1919  
 sales@theexitstore.com

[www.theexitstore.com](http://www.theexitstore.com)