

Micros™
LED Emergency Light

The Micros™ LED Emergency Light is ideal for all applications from commercial to retail. Because LED lamps use a fraction of the electricity that incandescent lamps consume, the battery inside the MELHO is much smaller than all other emergency lights to create a compact unit.


Features

Body	UV stabilized, flame-retardant ABS thermoplastic housing Available in white or black
Mounting	Back mount (wall)
Illumination	Glare-free, fully adjustable LED lampheads
Battery	Premium grade NiCad battery (90-minute runtime) standard
Operating Temp	68°F to 86°F (20°C to 30°C)
Electronics	120/277 VAC 60Hz Standard Solid state transfer and charger External LED status indicator and push-to-test switch Remote capable units: 3.4 Watt additional runtime for 90 minutes
Warranty	3 -year limited warranty

Highlights

- Damp location rated
- Injection-molded, high impact, UV-stabilized, UL 94 V-0 Thermoplastic
- Snap-together construction for quick installation
- Universal mounting plate with quick-connect feature
- Fully adjustable glare-free lighting heads
- Maintenance-free, Ni-Cad batteries

Compliance

- ANSI/NFPA-101
- ANSI/NFPA-70
- ANSI/UL924
- ICC (IBC & IFC)
- OSHA



Micros™

LED Emergency Light

Product Dimensions & Details

Weight: 3 lbs. (1.36kg)

Ordering Information

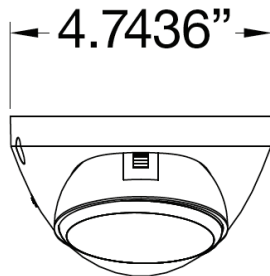
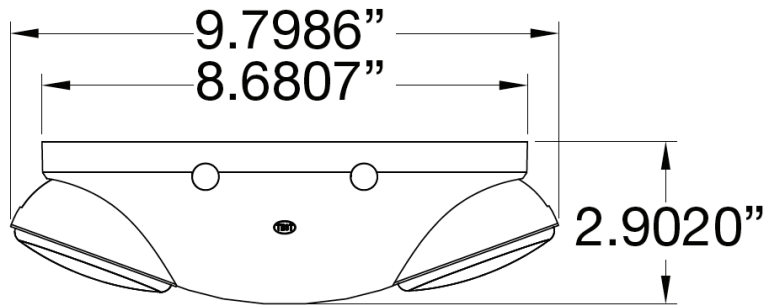
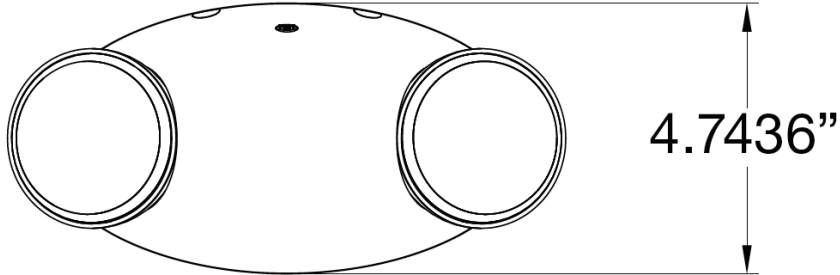
Example: MELHO-WH

Series

MELHO = MELHO™ LED Emergency Light

Housing/Frame Color

WH = White



Power Consumption

Power Input: 120/277 VAC

Operation	Max Watts
Base Unit	.85/.80
Base Unit High Output	.85/.80
Base Unit High Output – Remote	.85/.80
Base Unit High Output – SD	4.5/4.9
Base Unit High Output – Remote SD	4.6/5.0

The Exit Store LLC
 303 W Lancaster Ave #138
 Wayne, PA 19087
 Toll Free: 844-438-3948 [844-GET-EXIT]
 Tel: 484-913-1916
 Fax: 484-913-1919
 sales@theexitstore.com

www.theexitstore.com