

## Peregrine™

## Architectural Emergency Light

The Peregrine™ Architectural Emergency Light offers a sleek, streamlined design. Four high-powered LED lamps offer up to 70 feet of exceptional emergency egress lighting. This fixture is rated for NEMA 3R applications and is capable of being installed in locations that have ambient temperatures ranging from -4°F to 122°F. An additional heater can be installed for applications requiring -40°F to 86°F. Optional features include normally on light modes.



### Features

<b>Body</b>	Die cast aluminum housing White, black, gray, or bronze powder coat finish Shock absorbent clear polycarbonate lens (3" x 1.5")
<b>Mounting</b>	Surface back mount only Top conduit entry
<b>Illumination</b>	Four (4) high powered LED lamps Up to 70 feet of emergency egress illumination
<b>Battery</b>	Rechargeable NiMH battery
<b>Operating Temp</b>	-4°F to 122°F (-20°C to 50°C)
<b>Electronics</b>	120/277 VAC 60Hz Standard Solid state transfer Bi-color LED AC-ON indicator lights Automatic Self-Diagnostics Close tolerance circuit & Brownout protection Low voltage disconnect provides total load disconnect (battery) protection to guard against deep discharge during extended power outages
<b>Self-Diagnostics</b>	The NiMH battery unit has a micro-controller-based, non-audible advanced diagnostic circuit. The unit conducts a self-test for one minute every month, 30 minutes every six months and 90 minutes annually. The pilot light integrated with the test button is a bi-color LED that goes from normal green to flashing red in the event of a failure. A label inside the unit near the test button specifies the fault.
<b>Warranty</b>	5 -year limited warranty

### Highlights

- NEMA 3R rated
- Less than 5W power consumption in standby
- Photocell (option)
- Normally on lighting (option)
- Infrared test switch (option)

### Compliance

- ANSI/NFPA-101
- ANSI/NFPA-70
- ANSI/UL924
- ICC (IBC & IFC)
- OSHA

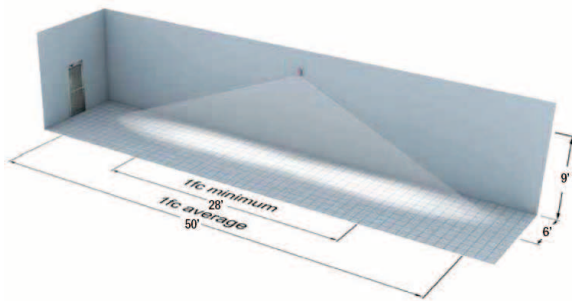
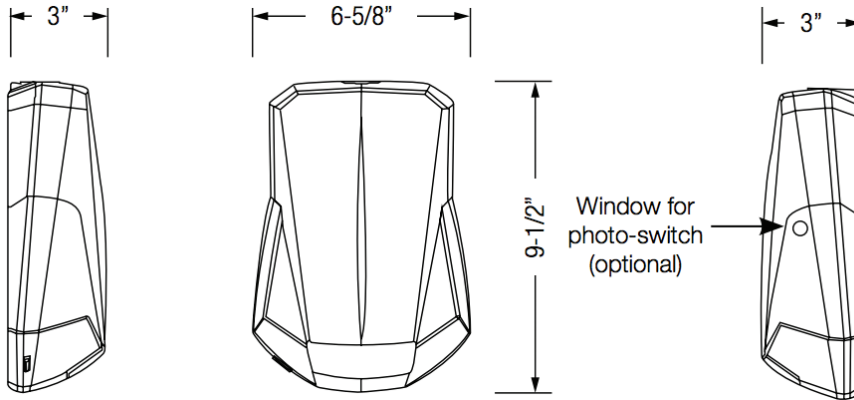


# Peregrine™

## Architectural Emergency Light

### Product Dimensions & Details

Weight: 11 lbs. (4.99kg)



### Power Consumption

**Power Input: 120/277 VAC**  
Normal Lighting/Emergency Lighting

Operation	Max Watts
ACDC, EM	12.0/12.0
ACDC, EM	18.0/18.0
ACSD	12.0/5.0

### Ordering Information

**Example:** PGEL-NM-EM-BK-H1

#### Series

PGEL = Peregrine™ Architectural  
Emergency Light

#### Battery

NM = Ni-MH Nickel Metal Hydride

#### Operation

EM = Battery Backup

AD = AC/DC

#### Housing Color

BK = Black

BZ = Bronze

GY = Gray

WH = White

#### Options

H1 = Internal Heater – 120 Volt

TD = 15-minute Time Display

SN = Photocell Sensor

The Exit Store LLC  
303 W Lancaster Ave #138  
Wayne, PA 19087  
Toll Free: 844-438-3948 [844-GET-EXIT]  
Tel: 484-913-1916  
Fax: 484-913-1919  
sales@theexitstore.com

www.theexitstore.com