

## Regalia™

## Edge-Lit Exit Sign

The Regalia™ Edge-Lit Exit Sign’s clean lines and simple design aesthetic will garner the desired response to your project. This fixture gives off a floating, edge-lit look. The durable precision die-cast aluminum housings display a laser-formed thin acrylic legend. High-efficiency LED lights deliver a vivid illumination. The sign was designed to be easy to install and reliable in a variety of settings.



### Features

<b>Body</b>	Precision die-cast aluminum housing
<b>Face</b>	Optical quality acrylic with laser-formed edge Quick, snap-in installation Field selectable direction chevron kit Custom legends
<b>Mounting</b>	Specify: Back, top, end, recessed ceiling, pendant, or mullion mount Rough-in section (back box) for recessed applications is IC-rated, form folded steel and features quick-fit retaining clips and bar hangers extending to 24"
<b>Illumination</b>	Energy-efficient, super bright LED light source is paired with an engineered light guide to optimize illumination uniformity
<b>Battery</b>	Premium long-life, fused NiCad battery
<b>Operating Temp</b>	50°F to 104°F (10°C to 40°C)
<b>Electronics</b>	Dual voltage, field-selectable input 120/277 VAC, 60Hz Isolated transformer and electronic circuitry provide consistent current flow and protection, maximizing LED life and efficiency Primary and secondary circuits can be mixed voltage with dual-circuit (CX) option Low voltage disconnect provides total load disconnect (battery) protection to guard against deep discharge during extended power outages Line-latch allows immediate installation end eliminates contractors' need to return to job-site to connect batteries after AC power is turned on
<b>Warranty</b>	5 -year limited warranty

### Highlights

- 3-hour emergency duration
- Self-Diagnostics (option)
- Custom legends
- Low energy consumption
- Quick connection, easy installation
- Line-latch and LVD

### Compliance

- ANSI/NFPA-101
- ANSI/NFPA-70
- ANSI/UL924
- ICC (IBC & IFC)
- OSHA
- NYC



### Power Consumption

#### Power Input: 120/277 VAC

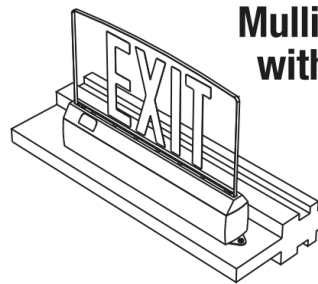
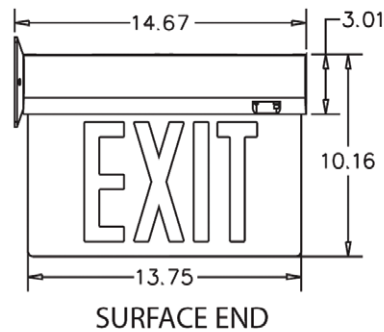
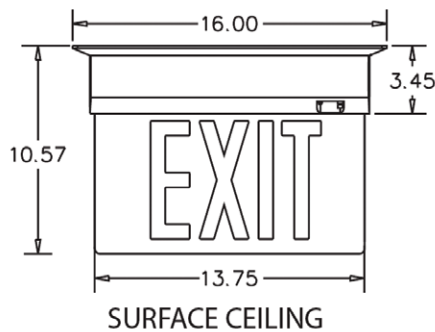
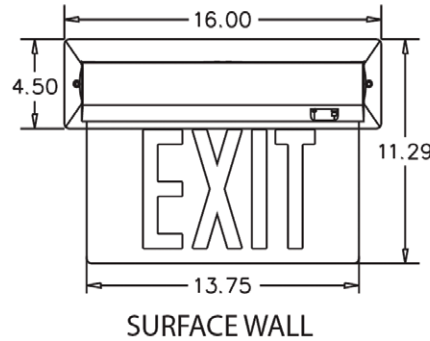
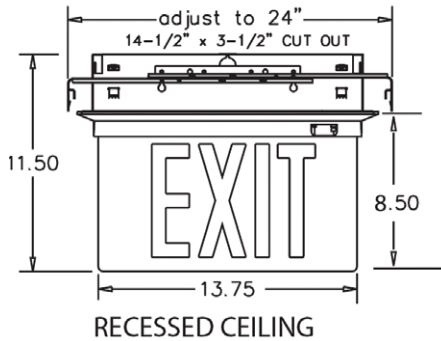
Color	Operation	Max Watts	Power Factor
Red	AC only	1.5	.70
Red	Battery	2.5	.70
Red	Battery + SR	3.0	.73
Green	AC only	2.3	.70
Green	Battery	3.0	.76
Green	Battery + SR	4.0	.81

## Regalia™

## Edge-Lit Exit Sign

### Product Dimensions & Details

Weight: 6 lbs. (2.72kg)



### Mullion Mount with Inverted Legend

### Self-Diagnostics

- Regalia's Self-Diagnostic (SD) option provides electronic monitoring and automatic self testing of critical components in compliance with the requirements of UL924 and ANSI/NFPA 101 § 7.9.3.
- The SD feature continuously monitors the battery, charger/transfer circuit, input transformer and LED's and reports failures through the status display. A simple visual inspection of the display will alert the user to the specific problem for corrective action.
- Automatic Self-Diagnostic monitoring occurs:
  - Every 5 seconds:** Battery monitoring (auto-test)
  - Every 30 days:** 30 second complete diagnostic test (auto-test)
  - Every 12 months:** 90 minute complete diagnostic test (manual-test)
- Manual testing (1, 30, 90 min) may be initiated via the test switch.
- Remote testing may be initiated for 30 seconds or 90 minutes using the optional TLRT remote transmitter.
- Dual color visual diagnostic LED indicates status by color and flash rate.



TLRT Remote Control  
(Ordered separately)

### Ordering Information

Example: RGLA-EM-G-1W-BA-MT-AN-SD

#### Series

RGLA = Regalia™ Edge-Lit Exit Sign

#### Operation

AC = AC Only  
EM = Battery Backup

#### Legend

G = Green  
R = Red  
R8 = Red - 8" Letter EXIT

#### Face Count

1C = Single Clear  
1M = Single Mirror  
1W = Single White  
2M = Double Mirror  
2W = Double White

#### Housing Color

BA = Brushed Aluminum  
BK = Black  
WH = White  
BZ = Bronze

#### Mounting

MB = Back Mount - Single face only  
MT = Top Mount  
ME = End Mount  
MC = Recessed Ceiling Mount  
M7 = Mullion Mount - Top  
M8 = Mullion Mount - Back  
M9 = Mullion Mount - Bottom/Inverted, Stanchion

#### Chevrons

AN = No Arrows  
AL = Arrow Left  
AR = Arrow Right  
AB = Double Arrow  
AS = Right & Left Arrow - double face, one direction  
AU = Universal Chevron Kit-Field Install

#### Options

CX = Dual Circuit 120/277 V  
FA = Fire Alarm Interface (12-24 VDC)  
FZ = Flasher/Buzzer  
LD = Damp Location  
SD = Self Diagnostics  
SR = Self Diagnostics + Infrared Remote Testing Sensor  
VF = Custom Voltage & Frequency

The Exit Store LLC  
303 W Lancaster Ave #138  
Wayne, PA 19087  
Toll Free: 844-438-3948 [844-GET-EXIT]  
Tel: 484-913-1916  
Fax: 484-913-1919  
sales@theexitstore.com

www.theexitstore.com