

## Sirocco™

## Hazardous Location Exit Sign

The Sirocco™ Hazardous Location Exit Sign is rated for use in Class 1 Division 2 Groups A, B, C, and D environments. The frame is constructed of a 1/8" thick aluminum backplate and a rugged polyvinyl chloride housing. The exit face is protected by a vandal-resistant and shock-absorbent polycarbonate shield secured by tamper-proof screws. The fixture is capable of back wall mounts and has keyholes on the backplate for a more robust installation. Advanced circuitry and automatic self-diagnostics will monitor the unit for any faults and alert the user. The unit is perfect for installations in manufacturing plants, paint shops, gas stations, and oil refineries.



	Features
<b>Body</b>	1/8" Thick aluminum back plate Polyvinyl Chloride gasketed housing prevents water entry Vandal resistant polycarbonate guard with tamper-proof screws
<b>Face</b>	Single or double face Heavy duty polycarbonate shield with vandal resistant screws
<b>Mounting</b>	Top, end, or back mount capable Top and side 1/2" conduit entry Industrial grade cast aluminum junction box Tamper-proof driver bit included
<b>Illumination</b>	Red or green letters LED illumination Custom wording (option) available
<b>Battery</b>	Maintenance free, sealed, rechargeable NiCad
<b>Operating Temp</b>	Standard: -4°F to 185°F (-20°C to 85°C) Heater option: -40°F to +185°F (-40°C to +85°C) for "EM" unit
<b>Electronics</b>	120/277 VAC, 60Hz standard Solid state transfer Magnetic test switch Current limiting, temperature compensated charger LED AC ON indicator lights Automatic self-diagnostics Brownout protection Low voltage disconnect provides total load disconnect (battery) protection to guard against deep discharge during extended power outages
<b>Self-Diagnostics</b>	This circuitry is standard on all self-powered models. The unit continuously monitors all critical functions.  In the event of a problem, a "Service Required" light illuminates immediately to specify the issue. The diagnostic display is located on the inside of the exit sign, so the general public cannot see it.  The self-test will be conducted at least 30 seconds each month, 30 minutes in every 60 days and 90 minutes annually.
<b>Warranty</b>	5 -year limited warranty

### Highlights

- Class 1 Division 2
- 120/277 VAC, 50 / 60 Hz
- Vandal resistant
- Corrosion resistant
- Magnetic test switch with magnet provided
- Temperature rated to 185°F

### Compliance

- CSA-US
- UL844
- UL924
- UL1598
- ANSI/NFPA-101
- ANSI/NFPA-70 (NEC)
- ICC (IBC & IFC)
- OSHA





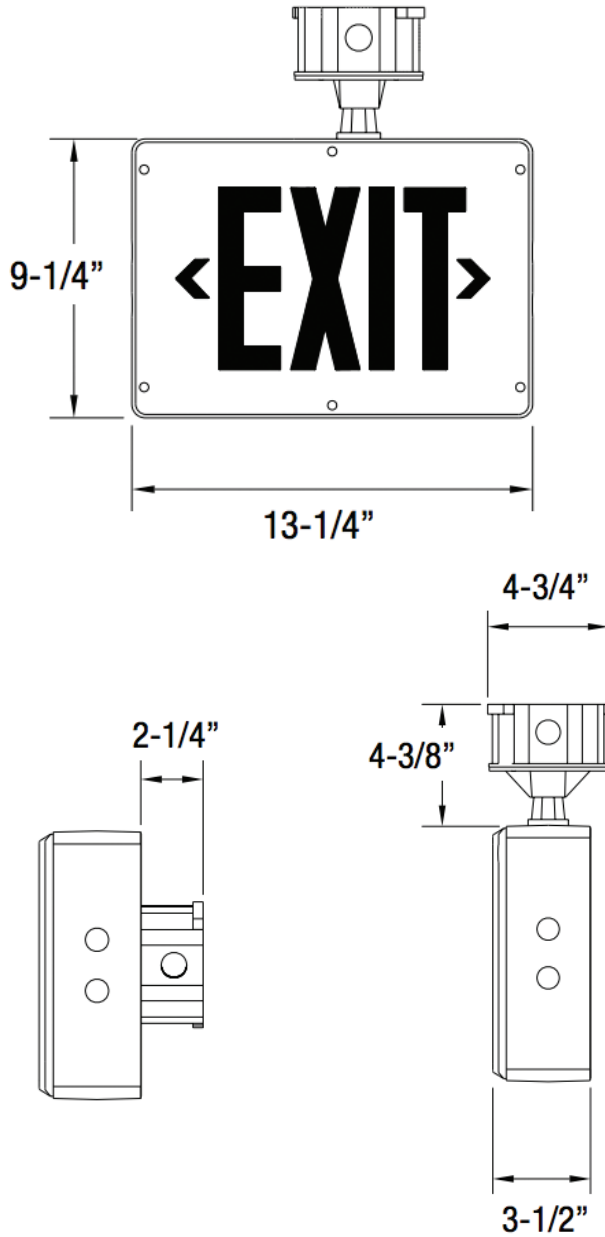
## Sirocco™

## Hazardous Location Exit Sign

### Product Dimensions & Details

Weight: 10 lbs.4.53kg)

### Ordering Information



**Example:** SROE-AC-R-1-GY-GY-H1

#### Series

SROE = Sirocco™ Hazardous Location Exit Sign

#### Operation

AC = AC Only

EM = Battery Backup

#### Legend

R = Red

G = Green

#### Face Count

1 = Single

2 = Double

#### Face Color

GY = Gray

#### Housing Color

GY = Gray

#### Options

H1 = Internal Heater - 120 Volt

CW = Custom Wording

### Power Consumption

#### Power Input: 120/277 VAC

Operation	Max Watts
AC Only Red	<2W
AC Only Green	<1.5W
Self-Powered Red	<2W
Self-Powered Green	<2.5W

The Exit Store LLC  
 303 W Lancaster Ave #138  
 Wayne, PA 19087  
 Toll Free: 844-438-3948 [844-GET-EXIT]  
 Tel: 484-913-1916  
 Fax: 484-913-1919  
 sales@theexitstore.com

[www.theexitstore.com](http://www.theexitstore.com)