

## Sirocco™

## Wet Location Exit Sign

The Sirocco™ Wet Location Exit Sign has a NEMA-4X rated housing to withstand moisture, dust and corrosion. The faceplates are molded from heavy-duty vandal-resistant polycarbonate and affixed to a fully gasketed, polyvinyl chloride frame that includes stainless steel tamper-proof screws. A universal mounting canopy allows for end, ceiling or wall-mount installation. An optional pendant adapter for top/ceiling mount can be added.



### Features

<b>Body</b>	Rugged PVC (Polyvinyl chloride) frame, fully gasketed
<b>Face</b>	Heavy duty, gasketed polycarbonate faceplate is secured with stainless steel tamper-resistant screws Finishes: black, white, brushed aluminum
<b>Mounting</b>	Top, end, back mount Note: NEMA 4X rating applies to wall and ceiling mount only
<b>Illumination</b>	Energy efficient, LED light source is paired with a color-matched diffuser providing exceptional brightness and legend uniformity
<b>Battery</b>	Sealed, maintenance-free NiCad
<b>Operating Temp</b>	Standard: -40°F to +104°F (-40°C to +40°C) Heater option: -4°F to +77°F (-20°C to +25°C) for “EM” unit -40°F to +77°F (-40°C to +25°C) for “AD” unit
<b>Electronics</b>	120/277 VAC, 60Hz standard Solid state transfer Magnetic test switch Current limiting, temperature compensated charger LED AC ON indicator lights Automatic self-diagnostics Brownout protection Low voltage disconnect provides total load disconnect (battery) protection to guard against deep discharge during extended power outages
<b>Self-Diagnostics</b>	Continuously monitors every critical function of the unit. If a problem occurs, a single service required indicator lights up immediately. A detailed diagnostic display is located inside the sign, out of general view. This specifies the problem. Self-testing software evaluates the unit for 30 seconds every 30 days, 30 minutes every 60 days and 90 minutes annually.
<b>Warranty</b>	5 -year limited warranty

### Highlights

- NEMA-4X; Suitable for use at car washes, sports arenas, marine locations, chemical plants, and prisons.
- NSF certified for food processing
- Self-diagnostics (standard)
- Battery heater (option) enables operation in cold temperature
- Heavy-duty vandal-resistant polycarbonate face

### Compliance

- ANSI/NFPA-101
- ANSI/NFPA-70
- ANSI/UL924
- ICC (IBC & IFC)
- NSF
- OSHA





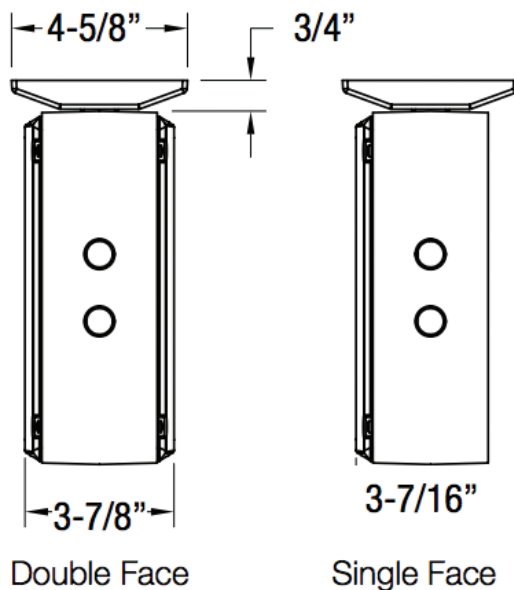
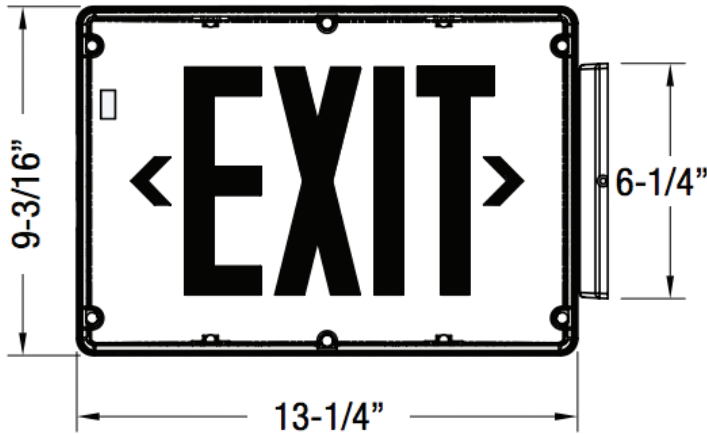
## Sirocco™

## Wet Location Exit Sign

### Product Dimensions & Details

Weight: 8lbs. 3.62kg)

### Ordering Information



**Example:** SRWE-AC-R-1-BK-BK-M3-H1

#### Series

SRWE = Sirocco™ Wet Location Exit Sign

#### Operation

AC = AC Only

EM = Battery Backup

AD = AC / DC (6-24VDC)

#### Legend

R = Red

G = Green

#### Face Count

1 = Single

2 = Double

#### Face Color

BK = Black

WH = White

BA = Brushed Aluminum

#### Housing Color

BK = Black

WH = White

GY = Gray

#### Mounting

M3 = Back, Top, End Mount

MP = Pendant Mount

#### Options

H1 = Internal Heater - 120 Volt

H2 = Internal Heater - 277 Volt

CX = Dual Circuit 120 / 277 V

FA = Fire Alarm Interface (6-24 VDC)

FZ = Flasher / Buzzer

CW = Custom Wording

### Power Consumption

#### Power Input: 120/277 VAC

Operation	Max Watts
AC only	1.2W
AC/DC	1.2W
Self-Powered	3.7W

The Exit Store LLC  
 303 W Lancaster Ave #138  
 Wayne, PA 19087  
 Toll Free: 844-438-3948 [844-GET-EXIT]  
 Tel: 484-913-1916  
 Fax: 484-913-1919  
 sales@theexitstore.com

[www.theexitstore.com](http://www.theexitstore.com)