

## WLEC™

## Wet Location Combo

The WLEC™ Wet Location Rated Exit Sign with Integrated Lights is a rugged and durable exit sign combo that is suitable for wet, dirty, and dusty areas. The fixture features a corrosion-resistant polycarbonate enclosure that seals out moisture, dust, and other elements. The legend is illuminated by high output, energy efficient red or green LEDs. The WLEC Wet Location Rated Exit Sign with Integrated Lights utilizes two PAR-36 style lamp heads and a long-life, maintenance-free NiCad battery that provides 90 minutes of emergency operation when AC power is lost. For backup models installed in environments where temperatures drop below 32°F, a battery heater can be added to ensure functionality in freezing environments.



	Features
<b>Body</b>	Corrosion resistant, Fully-Gasketed, 5VA flame retardant, UV-stabilized, polycarbonate enclosure
<b>Face</b>	Single face Field-selectable directional chevrons
<b>Mounting</b>	Back mount
<b>Illumination</b>	Energy-efficient LED light source is paired with a color-matched diffuser providing uniform illumination PAR-36 style incandescent lampheads are independently adjustable to illuminate the path of egress
<b>Battery</b>	Long life, maintenance-free, NiCad battery
<b>Operating Temp</b>	-4°F to 122°F (-20°C to 50°C)
<b>Electronics</b>	Dual voltage, field-selectable input 120/277 VAC, 60Hz is standard External LED status indicator and push-to-test switch Solid state transfer and charger Low-voltage disconnect provides total load disconnect (battery) protection to guard against deep discharge during extended power outages
<b>Warranty</b>	3 -year limited warranty

### Highlights

- Wet Location Rated
- Fully-Gasketed construction seals out moisture
- Battery heater (option) enables operation in freezing temperatures
- Vandal-resistant polycarbonate construction

### Compliance

- ANSI/NFPA-101
- ANSI/NFPA-70
- ANSI/UL924
- ICC (IBC & IFC)
- OSHA



**WLEC™**

Wet Location Combo

**Product Dimensions & Details**

Weight: 15 lbs. (6.80kg)

**Ordering Information**
**Example:** WLEC-2B-G-1-MB-WA-H1

**Series**

WLEC= WLEC™ Wet Location Rated Exit Sign

**Operation**

 2B = 6V, 12W  
 2F = 6V, 27W  
 2H = 6V, 30W  
 2K = 6V, 60W

**Legend**

 G = Green  
 R = Red

**Face Count**

 1 = Single  
 2 = Double

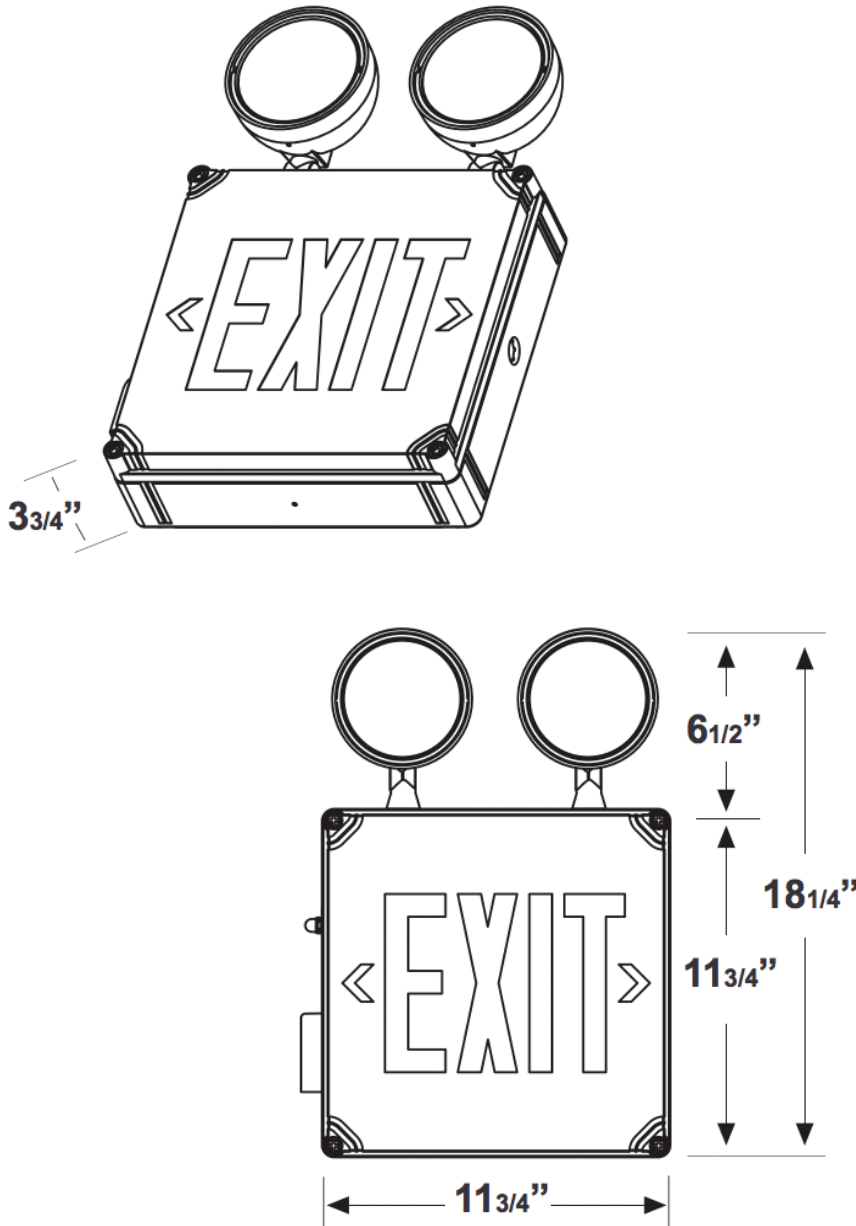
**Mounting**

 MB = Back Mount (Single-Face Only)  
 ME = End Mount  
 MT = Top Mount

**Lamp Type**

 WA = WEDGE 6V, 5.4W  
 SA = SBT 6V, 8W  
 HB = SBH 6V, 12W  
 SC = SBT 6V, 18W  
 HC = SBH 6V, 20W  
 SH = SCT 12V, 25W

**Options**

 H1 = Internal Heater – 120V  
 H2 = Internal Heater – 277V  
 LF = Shatter Resistant Lamps Food Prep

**Power Consumption**
**Power Input: 120/277 VAC**

Operation	Max Watts
Unit – Red/Green	7.2W/7.7W

 The Exit Store LLC  
 303 W Lancaster Ave #138  
 Wayne, PA 19087  
 Toll Free: 844-438-3948 [844-GET-EXIT]  
 Tel: 484-913-1916  
 Fax: 484-913-1919  
 sales@theexitstore.com

[www.theexitstore.com](http://www.theexitstore.com)