

Welly™

Wet Location Emergency Light

Designed with durability and style in mind, this vandal and impact resistant, high output LED emergency lighting unit combines functionality with aesthetics. This fixture is ideal for commercial, retail and industrial facilities that require heavy duty emergency lighting in damp or wet locations. The Vandal Resistant Wet Location LED Emergency Light uses an injection-molded UV-stabilized shell and a thick polycarbonate thermoplastic housing with solid-state electronics to offer both reliability and low-cost performance.



Features

Body	Injection-molded, high impact, UV-stabilized thermoplastic construction Gasketed polycarbonate protective lens
Mounting	Back Mount (wall only)
Illumination	2 x 12 Watt LED independently adjustable lampheads
Battery	3.6V, 900mAh NiCad battery
Operating Temp	50°F to 104°F (10°C to 40°C)
Electronics	Dual voltage, field-selectable input 120/277 VAC, 60Hz is standard Isolated transformer and electronic circuitry provide consistent current flow and protection, maximizing LED life and efficiency Low-voltage disconnect provides total load disconnect (battery) protection to guard against deep discharge during extended power outages Line-latch/AC-lockout prevents battery discharge prior to initial power-up saving installation time
Warranty	3-year limited warranty

Highlights

- Wet Location Rated
- Injection-molded, high impact, UV-stabilized thermoplastic construction
- 120/277 VAC

Compliance

- ANSI/NFPA-101
- ANSI/NFPA-70
- ANSI/UL924
- ICC (IBC & IFC)
- OSHA



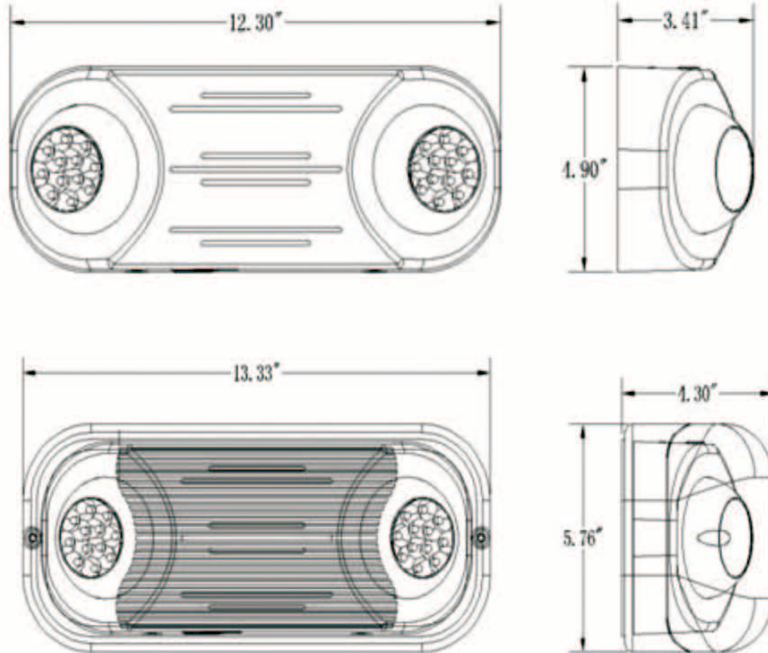
Welly™

Wet Location Emergency Light

Product Dimensions & Details

Weight: 6 lbs. (2.72kg)

Ordering Information



Example: WLEL-WH

Series

WLEL= Welly™ Vandal Resistant Wet Location
LED Emergency Light

Housing Color

WH = White

Power Consumption

Power Input: 120/277 VAC

Operation	Max Watts
-----------	-----------

Power Consumption	1.9W
-------------------	------

The Exit Store LLC
303 W Lancaster Ave #138
Wayne, PA 19087
Toll Free: 844-438-3948 [844-GET-EXIT]
Tel: 484-913-1916
Fax: 484-913-1919
sales@theexitstore.com

www.theexitstore.com