

ELECTRA

The Universal Dispenser
with Maximum Options
and Cost Reduction

TD0245

Automatic, hygienic,
hands-free operation

Paper savings mode for cost
effective use in all restroom
environments



Paper Savings
mode



ADA compliant



Put YOUR logo on
this dispenser!

**PALMER
FIXTURE**





TD0245-03



TD0245-01



TD0245-02

TD0245

- Automatic, hygienic, hands-free operation
- Paper is fully protected until user is ready
- Patented paper savings mode
- Easy to install paper, batteries and change settings
- Auto-transfer system prevents stub roll waste
- Low battery indicator light
- Longest battery life in the industry with up to 72,000 cycles or 1 year
- Large detection zone allows for easy & reliable operation

To eliminate batteries, order the **TD0246 Electra** Roll Towel Dispenser. The TD0246 Comes equipped with an AC/DC adaptor plug, and has the same setting options as the TD0245.

Available in 3 color combinations!

- 01** Dark Translucent (TD0245-01)
- 02** Black Translucent (TD0245-02)
- 03** White Translucent (TD0245-03)



1

Select paper savings mode (0%, 12% or 25%)



2

Set time delay (1sec, 2 sec or 3 sec)



3

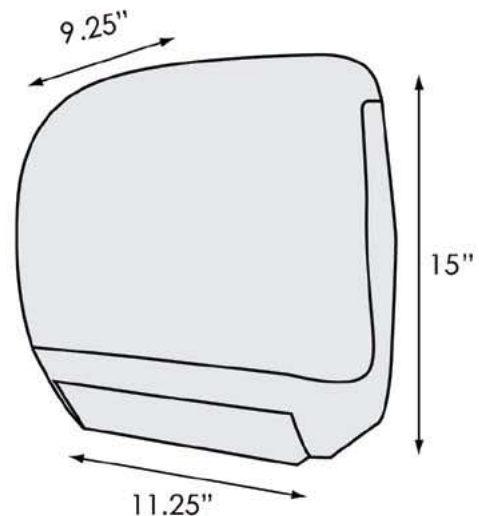
Choose sheet length (9", 12" or 15")



Put YOUR logo on this dispenser!



ADA compliant



MADE IN THE USA

