

RD0026

Single 9" Jumbo Tissue Dispenser


- Universal for all brands of Jumbo Roll Tissue with 3-3/8" cores
- The RD0026-F with a 2-1/4" core, includes a 3-3/8" adaptor
- Translucent cover for easy view of paper level
- Double latch lock prevents theft

01 Dark Translucent (TD0220-01)

02 Black Translucent (TD0220-02)

03 White Translucent (TD0220-03)

LOGO Put YOUR Logo on this Dispenser!

 ADA Compliant



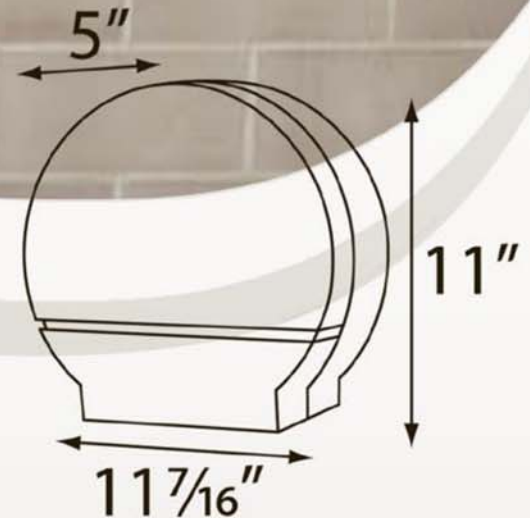
RD0026-01



RD0026-02



RD0026-03



1.800.558.8678
920.884.8974
FAX: 920.994.8699
info@palmerfixture.com

Since 1907