

TECHNICAL DATA SHEET

Reserva[®] Jumbo-Roll Dispenser

Product Code: R3090TBK, R3090TBL



- Universal and dispenses any brand or quality of jumbo bath tissue
- Increased capacity, equivalent to a single 12" (305 mm) or twin 9" (230 mm) dispenser
- Infinity[®] System eliminates stub roll waste

Installation: Wall mounted

Closure: With lock

Color:
Black Pearl, Arctic Blue

Dimensions:
12¹/₄" (H) x 16³/₄" (W) x 5¹/₂" (D)
311 mm (H) x 425 mm (W) x 140 mm (D)

Capacity:
(1) 9" - 10¹/₂" (230 - 270 mm) JBT roll
(1) 5" (127 mm) stub roll

Core Diameter:
Min. 3¹/₄" (83 mm)

Custom orders available for 2¹/₄" (57 mm) core diameter & adapter available to convert to 3" (76 mm) core.

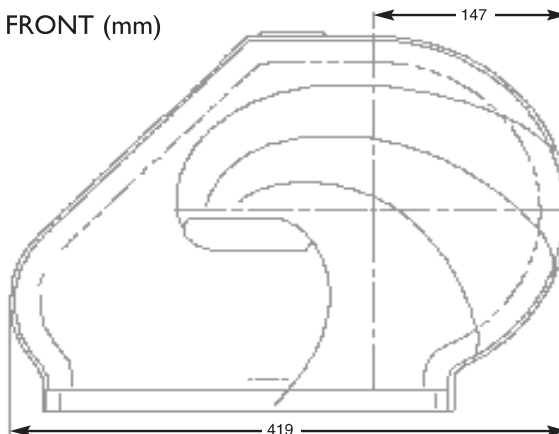
Net Weight: 1.4 kg

Gross Weight: 1.7 kg

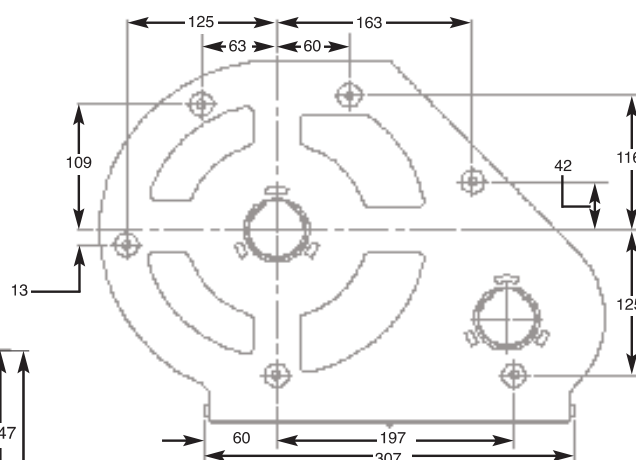
Materials: Break resistant plastic

Standard Product Code: R3090

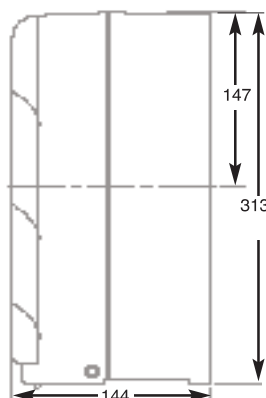
FRONT (mm)



Back (mm)



SIDE (mm)



San Jamar
555 Koopman Lane
Elkhorn, Wisconsin 53121
USA
T: +1.262.723.6133
F: +1.262.723.4204
info@sanjamar.com
www.sanjamar.com

Canada
15252 32nd Avenue
Suite 309
Surrey, BC V3S 0R7
CANADA
T: +1.262.723.6133
F: +1.262.723.4204
canada@sanjamar.com

Europe
Schoorstraat 26a, bus 1
2220 Heist op-den Berg
BELGIUM
T: +32 15 22 81 40
F: +32 15 22 81 48
emea@sanjamar.com

México
Av. Universidad #1377-701
Colonia Axotla CP 01030
Del. Alvaro Obregón
MEXICO, D.F.
T: +52 (55) 3626 0772
F: +52 (55) 5273 4495
mexico@sanjamar.com

 **san jamar**[®]
smart. safe. sanitary.