

# TECHNICAL DATA SHEET

## Oceans®

# Twin 9" JBT Dispenser

Product Code: R4090TBK, R4090TBL, R4090WS



- Slide prevents access to the spare roll until the first roll is completely empty; no need for maintenance resetting.
- Compact design fits any size washroom
- Infinity® System allows for uninterrupted availability of paper

**Installation:** Wall mounted

**Closure:** With lock

**Color:** Black Pearl, Arctic Blue, White Sand

**Dimensions:**

12" (H) x 19" (W) x 5.25" (D)

30.5 cm (H) x 48.3 cm (W) x 13.3 cm (D)

**Capacity:**

(2) 9" (23.0 cm) JBT rolls

**Core Diameter:**

3.25" (8.3cm)

**Case Weight:** 14.6 lbs (6.6 kgs)

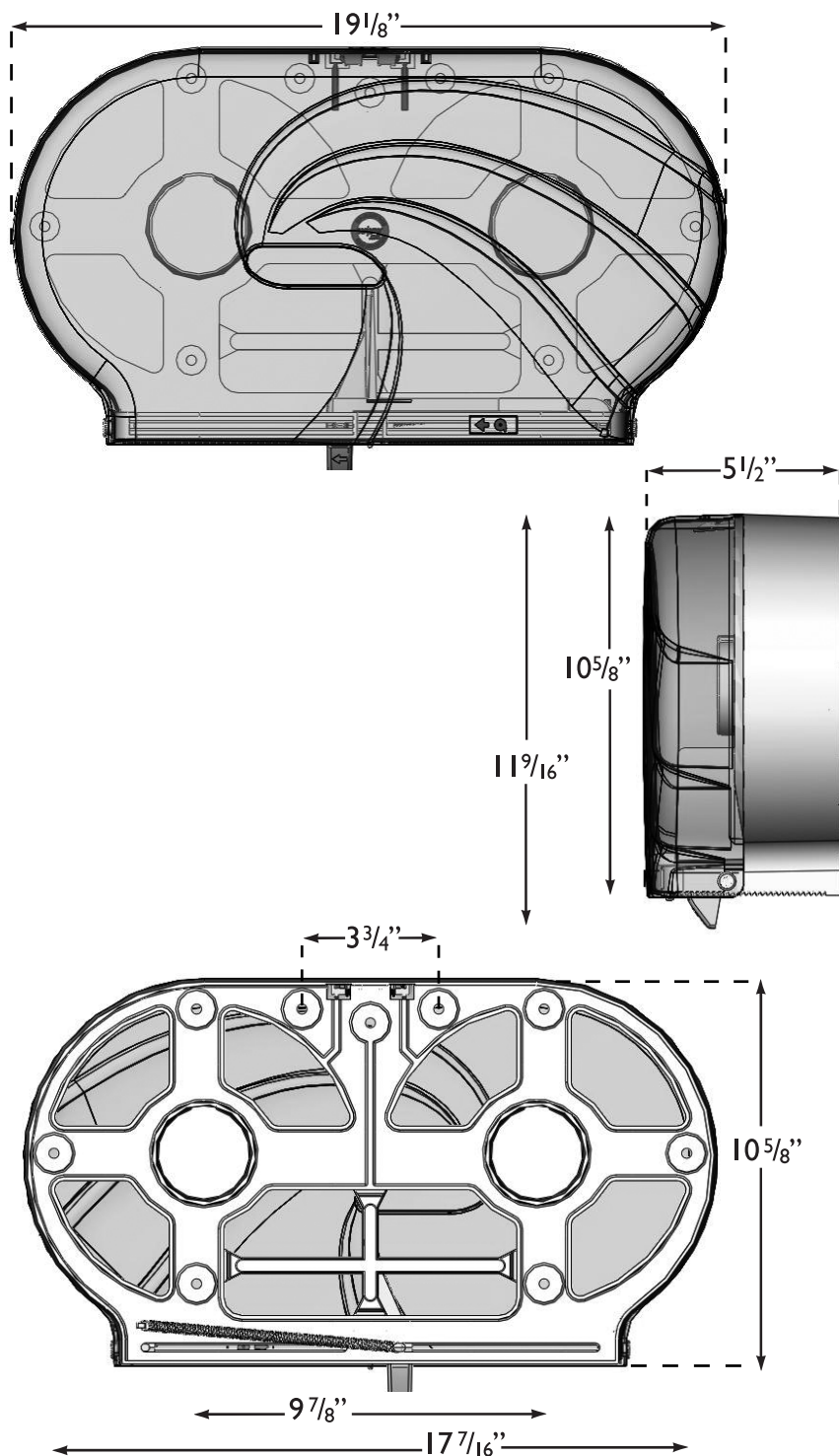
**Materials:**

Base: break resistant plastic

Cover: break resistant plastic

**Standard Product Codes:**

R4090TBK, R4090TBL, R4090WS



# SAN JAMAR®

Smart ♦ Safe ♦ Sanitary

555 Koopman Lane  
Elkhorn, Wisconsin 53121 USA  
800.248.9826/262.723.6133  
Fax: 262.723.4204  
www.sanjamar.com

Schoorstraat 26a, bus 1  
2220 Heist op-den Berg  
BELGIUM

T: +32 15 228140  
Fax: +32 15 228148  
www.sanjamar.com