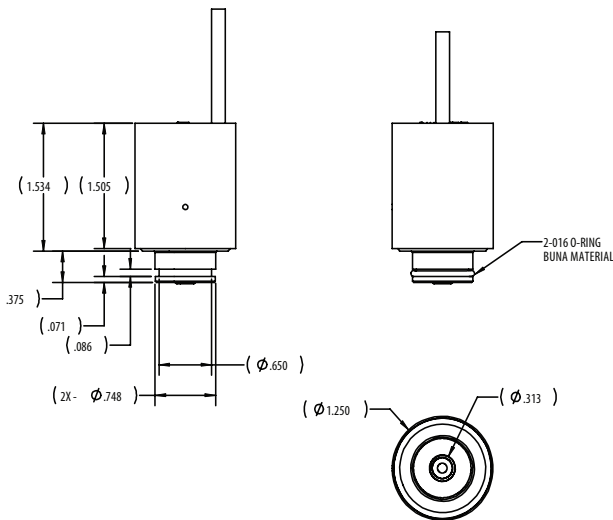


Intrinsically Safe Latching Solenoid



This example of latching technology originally designed to protect “run-away” pumps features a high-speed “extend” operation and is an excellent solution for applications involved in highly flammable or combustible environment. Design can be customized to fit a variety of safety applications.

Features & Benefits

- High-speed extend and retract
- Built-in protection circuitry
- Environmentally protected
- Can be designed to customer electronic drivers

Typical applications

- Flammable gas, vapor or liquid environments
- Combustible dust environments
- Ignitable fibers environments

Typical specifications

- Stroke (can be designed to specification): 3.05 mm (.120 in)
- Supply voltage: 6, 12 or 24 Vdc
- Response time: 17-26 ms
- Operating temperature range: -40 to 60°C (-40 to 140°F)
- Operating voltage: 6.8-7.8 Vdc
- Coil resistance at 20°C: 13.0 ± .5 Ω
- Inductance @ 1 kHz: 26 mH max
- Net spring preload: 2.9 N (.65 lb) min

