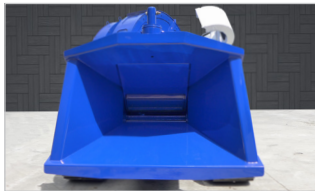


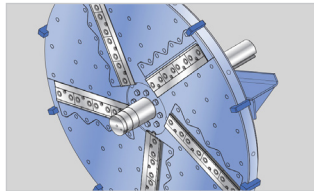
6910 Disc Chipper

Mobile Chipping Solutions



The 6910's large infeed target makes feeding easy

The 6910's parallel wall feed throat stabilizes logs. Direct drive feed rolls mean no chain and sprocket wear, nor is there ever need for adjustments.



Large, Robust Disc

The 6910 comes with a five pocket, 86" (218 cm) diameter chipper disc with traditional babbitted knife systems, or Key Knife™ systems.



IQAN Operating System

The robust and reliable IQAN operating system is easy to use and is weatherproof for the most extreme environments, providing self-diagnostics and engine and system parameters.



More Mobility

The 6910's track system allows for easy machine alignment and the optional tow hitch allows you to tow our 6800 Flail to the job site.

The Peterson 6910 disc chipper produces high quality paper chips when used with a Peterson 6800 debarker, or fuel chips as a stand alone fuel wood chipper.

The 6910 is powered by a Caterpillar C27, Tier III, 1050hp (772 kW), or an optional C32, 1125hp (839 kW) engine. The 6910 has a five pocket disc, with several optional sheave sizes to make precisely the chip you need. The chipper disc is directly driven from a high-capacity PT-Tech hydraulic clutch.

Chipping production rates up to 200 US tons (181437 kg) per hour can be achieved depending on chip size. The 6910's large feed throat can accept up to 27 inch (69 cm) diameter trees or multiple smaller stems.

Peterson knows that controlling the stems is critical for a high quality chip, and have minimized the distance from the feed roll to the disc for maximum control of the stems. A primary and secondary anvil provides easily serviceable

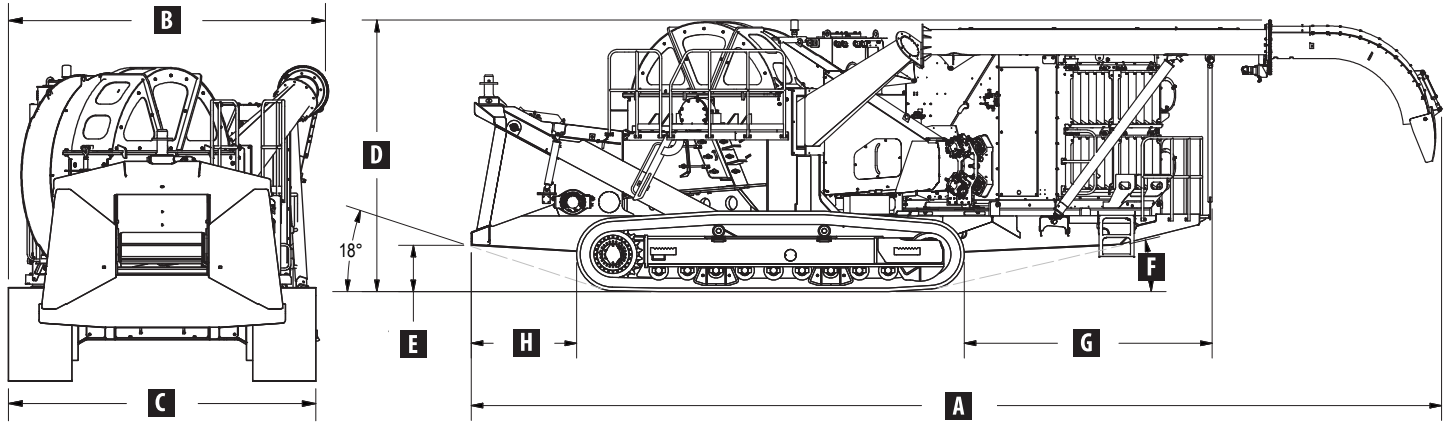
and adjustable cutting surfaces for the highest quality chip.

The chipper housing features a quick release hood clamp, bolt in disc wear liners, and an oversized hood which easily opens out of the way for superior disc access for knife changes. Servicing the 6910 is accessible from the convenient platforms around the engine and chipper.



Peterson
an Astec Industries Co.

6910 Disc Chipper Dimensions



Peterson 6910 Specifications

General Dimensions

A Operation and Travel Length	40'-10½" (1245.9 cm)
B Operational Width	11'-6" (350.5 cm)
C Travel Width	11'-1½" (339.1 cm)
D Travel Height	11'-5" (348 cm)
E Front Ground Clearance	1'-11½" (59.7 cm)
F Rear Ground Clearance	13" (33 cm)
G Rear Overhang	10'-5½" (318.8 cm)
H Front Overhang	4'-5½" (135.9 cm)

Weight

Total Weight	88,000 lbs (49 283 kg)
--------------	------------------------

Powertrain

Engine	Cat C27 (Tier IV) 1,050 HP (782 kW)
Fuel Tank Capacity	400 gal (1514.16 L)
Hydraulic Tank Capacity	110 gal (416.395 L)
Auto Reversing Fans	

Feed System

Maximum Log Diameter	27" (69 cm)
Feed Opening	40.5" wide x 27" tall (152 x 76 cm)
Direct Drive Feed Rolls	
Smooth Plate Discharge with Lower Feed Roll	
Feed Height	49" (124 cm)
Discharge Height	Depends on Feed Height
Feed Speed Range	up to 210 ft/min (64 m/min)

Chipper

- Accepts up to 27" Diameter Logs
- Five Pocket Chipper Disc
- Standard Five Knife Configuration
- Side Loading Chip Chute with Hydraulic Fold Cylinder
- Hydraulic Swivel Discharge Spout
- Dirt Separator Removes Contaminants, Overs, Fines and Slivers
- Chipper Sheave

Controls

- Peterson Adaptive Control System (IQAN)
- Radio Remote Control
- Optional Wireless Link with Peterson Chipper

Optional Equipment

- Export Lifting Eyes
- Night Operation Lights
- Babbitt or Key Knife Chipper Knives
- Fire Suppression System
- Auxiliary Air Compressor
- Top Loading Spout
- Cold Weather Kit

Specifications subject to change without notice

PETERSON an Astec Industries Company

PO Box 40490 • Eugene, OR 97404 • Tel 800.269.6520 Fax 541.689.0804 • www.petersoncorp.com

