



Front-Loading Automatic Washer

PRODUCT MODEL NUMBERS

WFW94HEX, WFW95HEX,
WFW97HEX

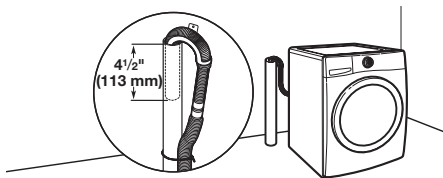
Electrical: A 120 volt, 60 Hz., AC only, 15- or 20-amp, fused electrical supply is required. A time-delay fuse or circuit breaker is recommended. It is recommended that a separate circuit serving only this appliance be provided.

Drain System Options

Drain system can be installed using a floor drain, wall standpipe, floor standpipe, or laundry tub. Select method you need.

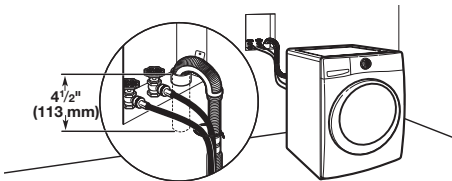
IMPORTANT: To avoid siphoning, 4.5" (113 mm) of drain hose should be inside standpipe or below the top of wash tub. Always secure drain hose with beaded tie strap.

Floor standpipe drain system

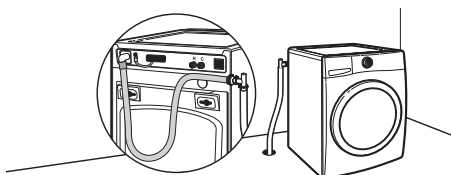


Minimum diameter for a standpipe drain: 2" (51 mm).
Minimum carry-away capacity: 17 gal. (64 L) per minute.
A 1/4" (6 mm) diameter to 1" (25 mm) diameter Standpipe Adapter Kit is available (Part Number 280130). To order, please see toll-free phone numbers on front page of your Washer User Instructions. Top of standpipe must be at least 30" (762 mm) high; install no higher than 96" (2.44 m) from bottom of washer. If you must install higher than 96" (2.44 m), you will need a sump pump system.

Wall standpipe drain system



Floor drain system

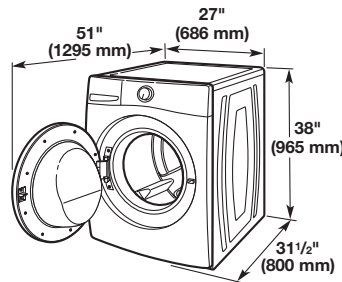


Floor drain system requires a Siphon Break Kit (Part Number 285834) and additional drain hose (Part Number 8318155) with a connector kit (Part Number 285835) that may be purchased separately. To order, please see toll-free phone numbers in your Washer User Instructions. Minimum siphon break: 28" (711 mm) from bottom of washer. (Additional hoses might be needed.)

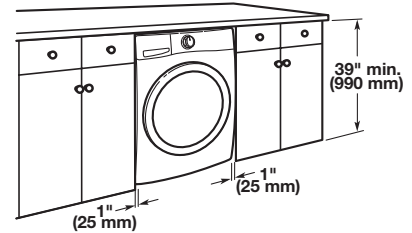
Because Whirlpool Corporation policy includes a continuous commitment to improve our products, we reserve the right to change materials and specifications without notice.

OVERALL DIMENSIONS

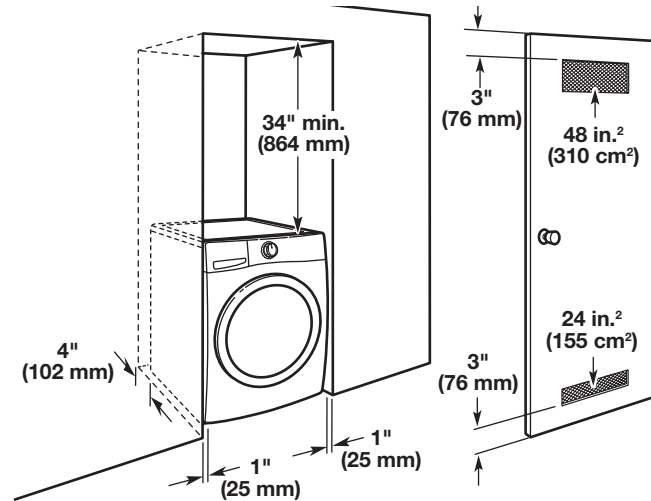
Washer dimensions



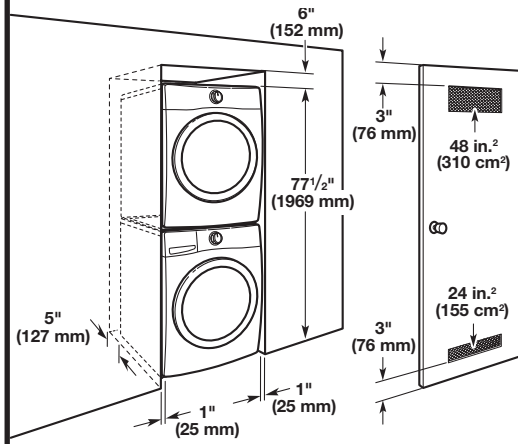
Custom under counter installation:



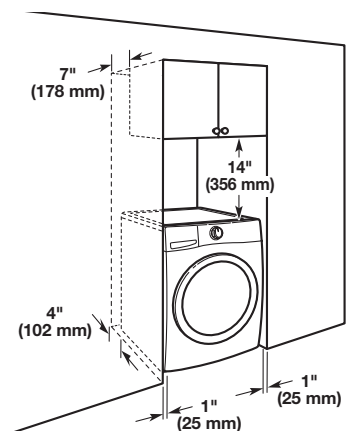
Recessed area or closet installation (washer only):



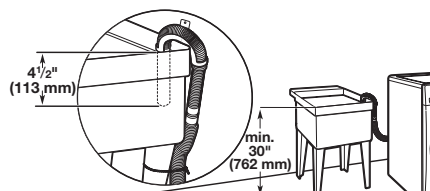
Recessed area or closet installation (stacked washer and dryer):



Custom cabinet installation:



Laundry tub drain system



Minimum capacity: 20 gal. (76 L).
Top of laundry tub must be at least 30" (762 mm) above floor; install no higher than 96" (2.44 m) from bottom of washer.

Dimensions are for planning purposes only. For complete details, see Installation Instructions packed with product. Specifications subject to change without notice.

Ref. W10254447
08/2010