

TENTBOX

Safety and Fitting Instructions

You must read this guide before attempting to mount or use your TentBox



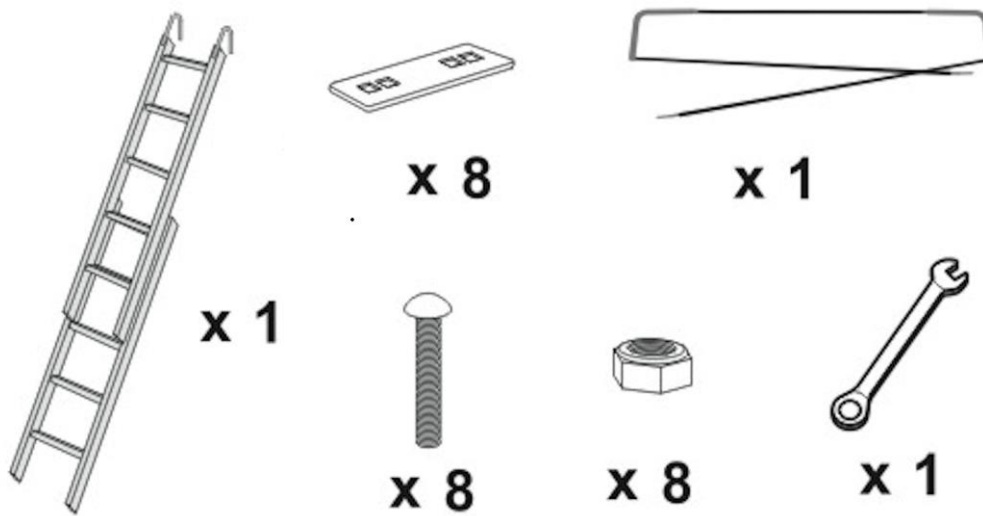
To Get in touch

Email: sales@tent-box.com

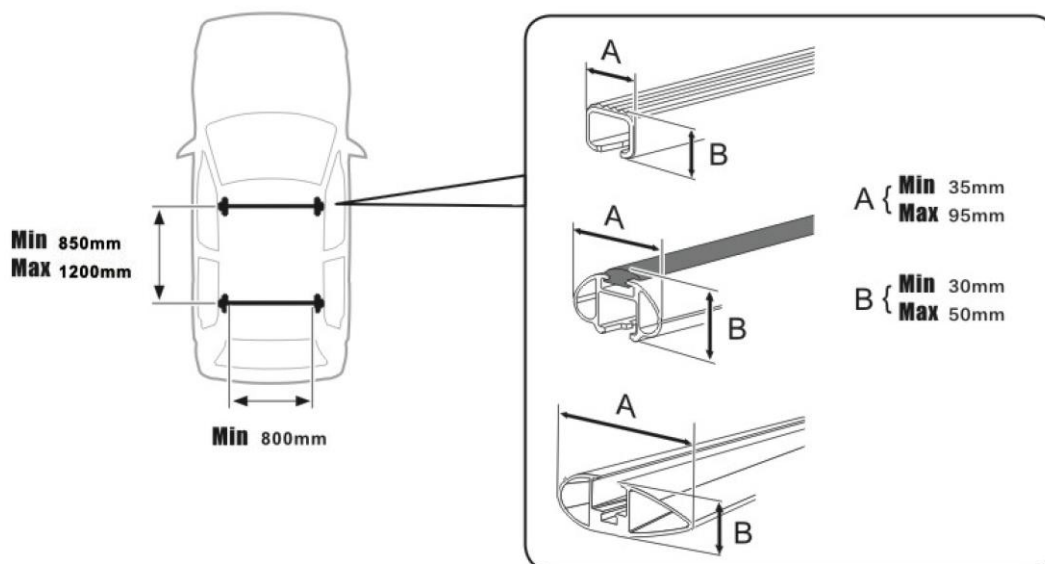
Call: 02380019707

Visit: www.tent-box.com

What's in the box?



Roof Bar Requirements

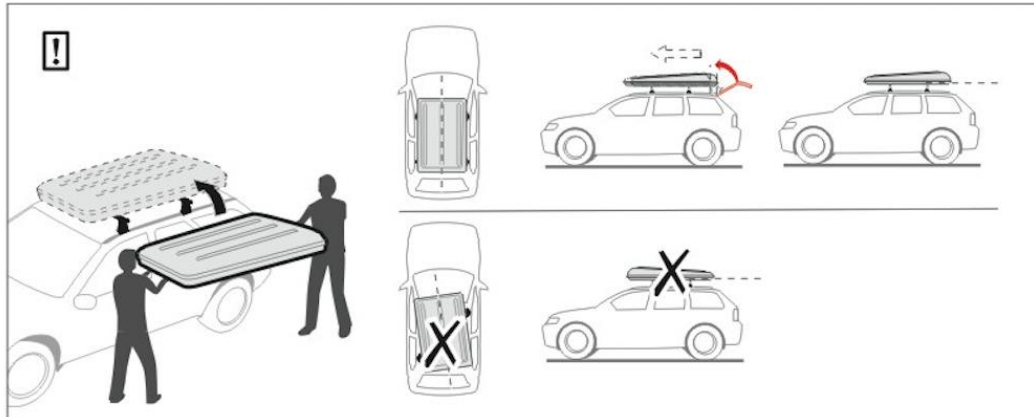


You must consult your vehicle and roof bar manufacturers manual to ensure that your TentBox is compatible with your vehicle set-up before mounting or using it.

Mounting your TentBox

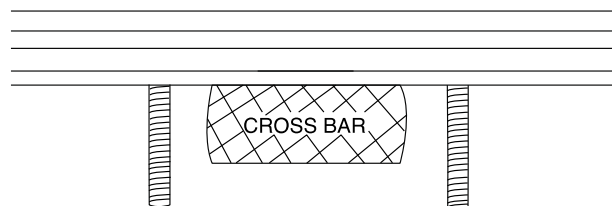
Requires two people

STEP 1: With the help of another person, lift your TentBox onto the top of your Cross Bars so that it sits straight and well centred on top of your car.

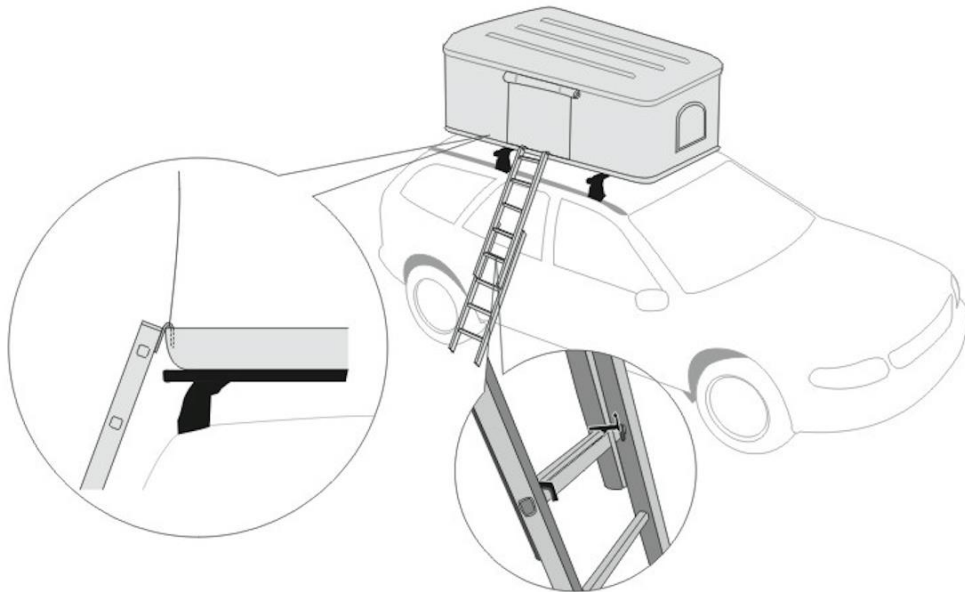


STEP 2: Drop the 8 bolts into 4 of the fixing plates, making sure the square under the bolt head fits snugly into the square hole. If your roof bars are narrow enough, use the two inside holes. If they are wider, use the two outside holes.

STEP 3: Slide two of these fixing plates onto one of rails underneath your TentBox. You want to push them along so that you have a bolt hanging down on either side of each cross bar, as shown below. You then repeat this process on the other rail. You should now have 4 fixing points like the diagram below.



Using the ladder



When extending the ladder, make sure that you have securely locked it in place with the metal locking catches. Also, use the Velcro straps provided to further secure the two ladder sections.

Then simply hook the ladder onto the edge of either doorway, check that it is stable and that the locking mechanism is still correctly applied, and climb in!

Caring for your TentBox

Condensation and Dampness

As with all enclosed spaces, condensation and dampness can occur. Following these three steps will massively reduce any issues.

1. Whilst sleeping, if it's not too cold, leave the front and rear windows open slightly to improve ventilation and reduce condensation build up.
2. If you have time, we always recommend giving your TentBox a full airing out with all the windows and doors open before closing it down.
3. Before storing your TentBox for a long period of time, it is imperative that you give it a sustained airing out and make sure that the insides are completely dry.

Reproofing

To maintain 100% waterproofness, the exterior of your TentBox canvas material can be reproofed with any standard canvas re-proofer, such as Fabsil. We would suggest doing this once a year.

Safety Information

- We recommend that you **DO NOT** drive over 70mph (110kmh) whilst using your TentBox and that you always adhere to speed limits.
- **DO** at the start of every journey and at regular intervals during every journey check that your TentBox is firmly fixed to your roof bars and that all of the locking straps are securely fastened. Only ever check your TentBox in a safe and suitable location.
- **DO NOT** use your TentBox if there is any visible damage to any part of it or its components, instead contact us to see how we can help. This is especially applicable to the locking straps and buckles.
- Understand that secured loads and incorrectly mounted roof bars can come lose during journeys and can cause serious accidents.
- Make sure that you give due consideration to the change in your vehicle height and drive behaviour (side-wind sensitivity, corner and braking behaviour).
- You must always consult your vehicle and roof bar manuals to ensure you are following their advice, these must be always be carried in your vehicle along with your TentBox safety and fitting instructions.
- Do not use bleach, alcohol or ammonia based cleaning liquids on your TentBox otherwise the surface of your TentBox may get damaged
- Please note the following when using your TentBox: -
 - The height of your vehicle can increase by up to 90cm (dependant on your roof bars).
 - Beware of low entrances, low hanging branches, etc.
 - Wind noise may be generated when travelling with a TentBox
 - When using an automatic car-wash facility your TentBox and must first be removed.
 - In addition to these usage instructions, due consideration should also be given to mounting instructions for your roof bars and the operating instructions of your vehicle.
 - For reasons of fuel economy and the safety of other road users, your TentBox and roof bars should be removed when not in use.
 - For your safety, you should only use tested (e.g. GS-tested) roof bars that are authorised for usage in conjunction with your vehicle.
 - In order to avoid generating excessive lifting forces, your TentBox should be mounted parallel to the line of the road and not at an angle
- When climbing in and out of your TentBox always use the ladder with due caution and never allow children to use it alone. Make sure the ladder hooks are in good condition, contact us if you need replacements.
- You must not allow any naked flames in or near your TentBox

Important Information

The manufacturer is not liable for any damage or accident that may occur as a result of non-compliance with these usage instructions, modifications made to parts or the usage of any parts other than the manufacturer's original parts. The warnings, cautions and instructions in this document can't cover every possible situation, so it is understood by the operator that common sense and caution must be applied. It is your responsibility to pass these instructions on to any third party who uses this TentBox, including second hand sales.

Warranty

The manufacturer's warranty covers manufacturing faults and lasts one year from the point of purchase. It is only valid if the instructions and recommendations in this document are adhered to and only applies to the first owner. Second hand sales are not covered.
