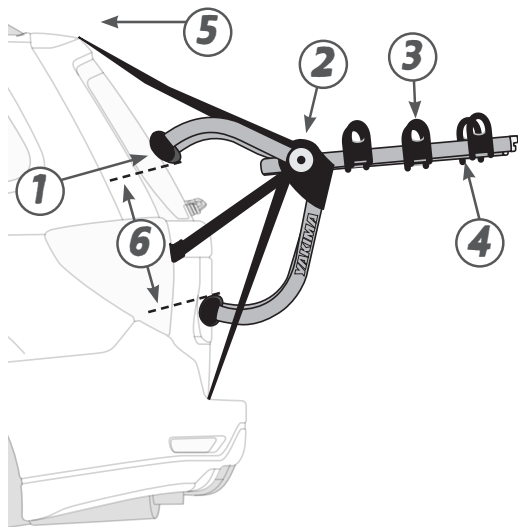


TRUNK RACK

FIT INFORMATION

TRUNK RACKS: ON AND OFF IN A FLASH

We've got a variety of trunk rack solutions that are easy to use and offer great stability. The Yakima trunk rack attaches directly to your vehicle's TRUNK or HATCH utilizing STRAP RETAINERS (5) with protective buckles. The PADDED FEET (1) protect your vehicle while the QUICK-TRIGGER HUB SYSTEM (or adjustment knob) (2) allows for easy fit and installation. The ANTI-SWAY CRADLES (3) attached to the ARMS (4) eliminate bike-to-bike contact. Just load up the bikes and you are well on your way to your next riding adventure. Pretty simple, really.



WHAT IS THE TRUNK RACK MEASUREMENT?

The trunk rack measurement is either the distance between the upper and lower frame supports measured from the inside edge of the frame tubes or the distance between the rivets on the upper and lower frame tubes, prior to placing on your vehicle. **See your rack's instructions for specific measurement locations.**

- | | | | |
|---|------------------------------------|---|------------------------|
| 1 | PADDED FEET | 4 | ARMS |
| 2 | ADJUSTMENT KNOB / QUICKTRIGGER HUB | 5 | STRAP RETAINERS |
| 3 | ANTI-SWAY CRADLES | 6 | TRUNK RACK MEASUREMENT |

*** ALWAYS READ YOUR TRUNK RACK'S INSTRUCTIONS FOR PROPER VEHICLE FIT.**

IMPORTANT SAFETY INFORMATION: TRUNK RACKS

DID YOU DO IT RIGHT?

Grab the rack frame (or in some cases, the bike's forks), lifting up and down. If nothing moves, shifts or pulls apart, you've done a good job.

BEFORE DRIVING OFF

You must tighten straps after loading bikes. Check strap tension periodically during travel. Straps loosen over time. Check before each use; tighten if necessary. Failure to check and tighten straps can result in property damage, personal injury or death.

KEEP THE INSTRUCTIONS

Keep them! After you have uninstalled the product, you may wish you could remember how to make adjustments. There may also be a number to call if you're really stuck.

LONG LOAD ALERT

In some cities, there are ordinances or laws to prevent folks from driving around with a load extending from the rear of the vehicle.